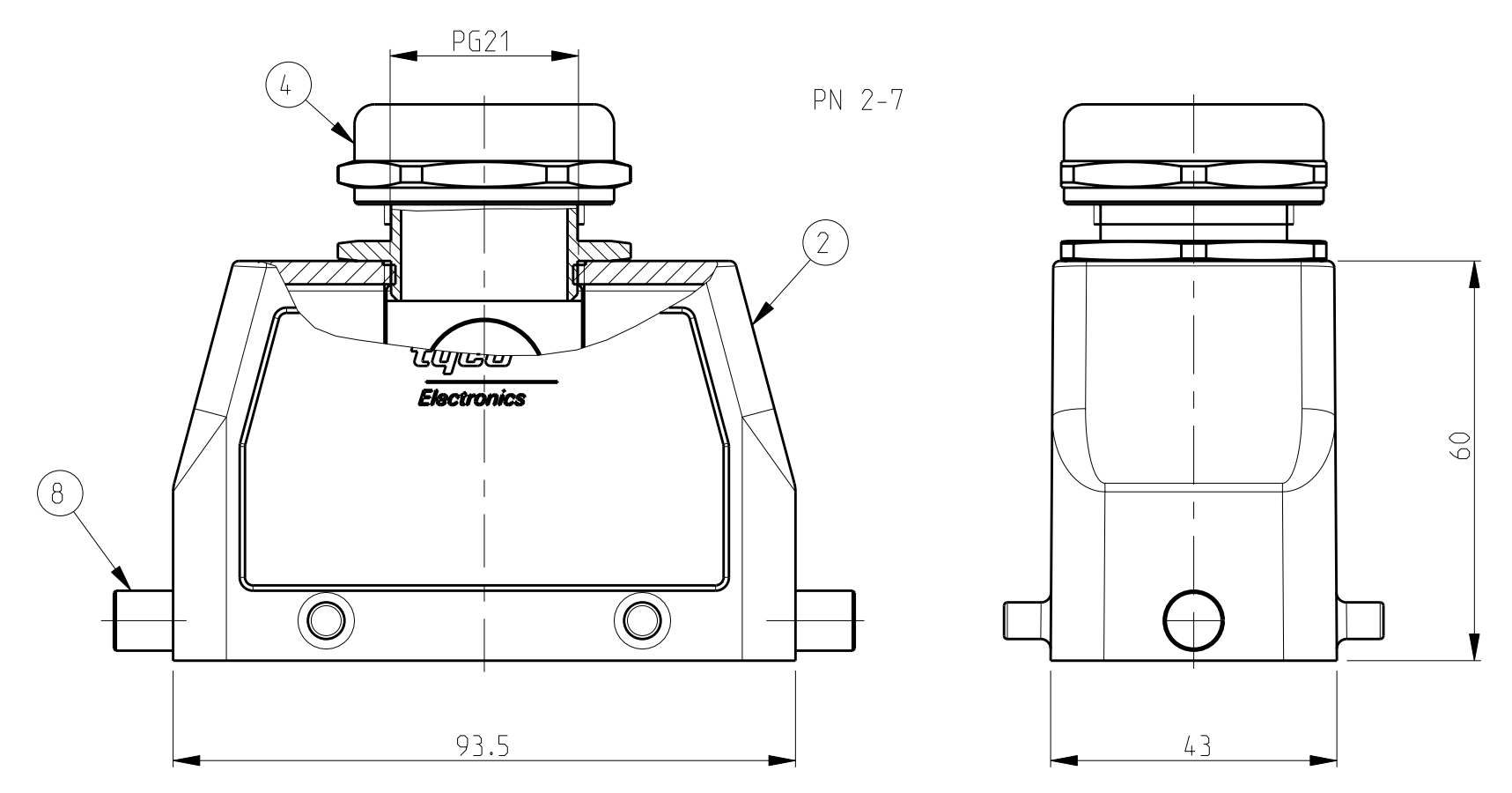
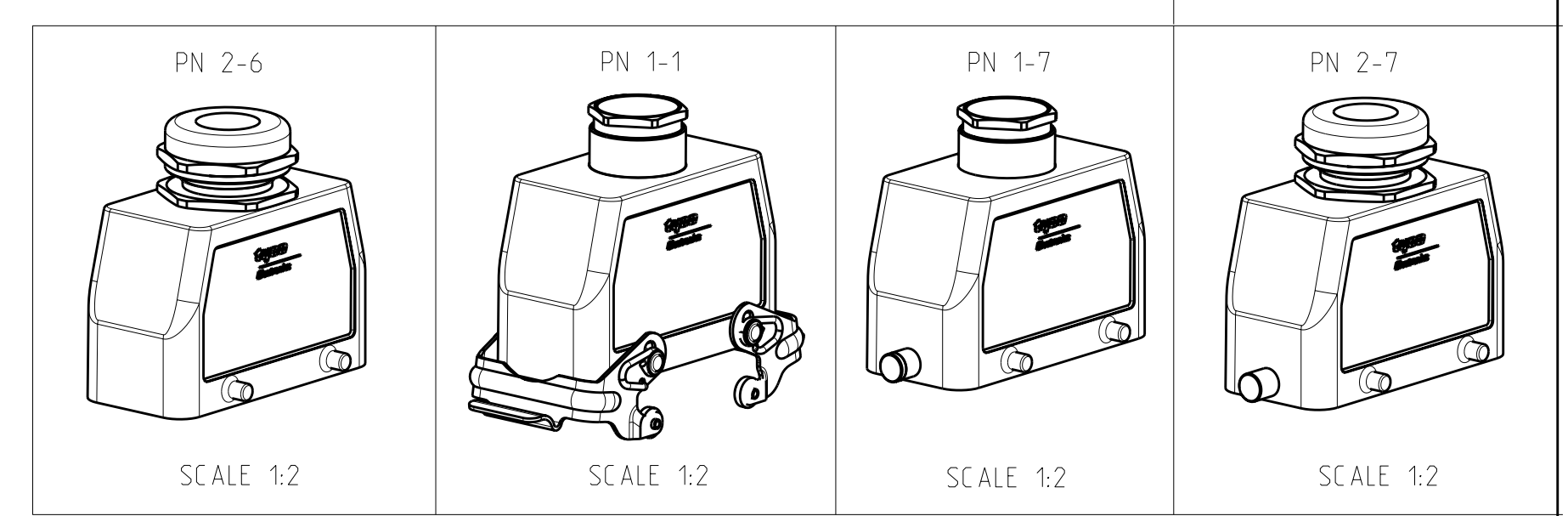
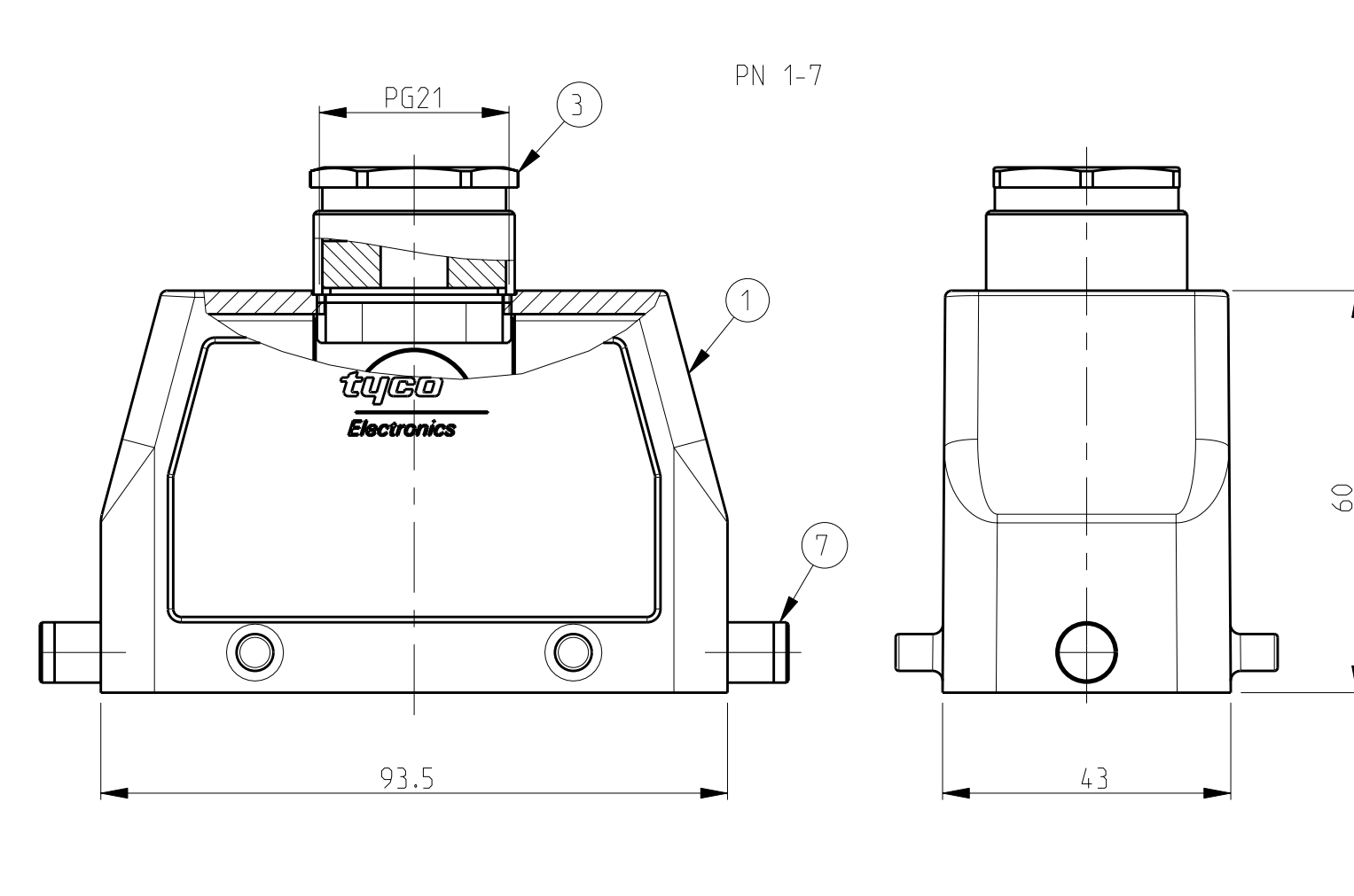
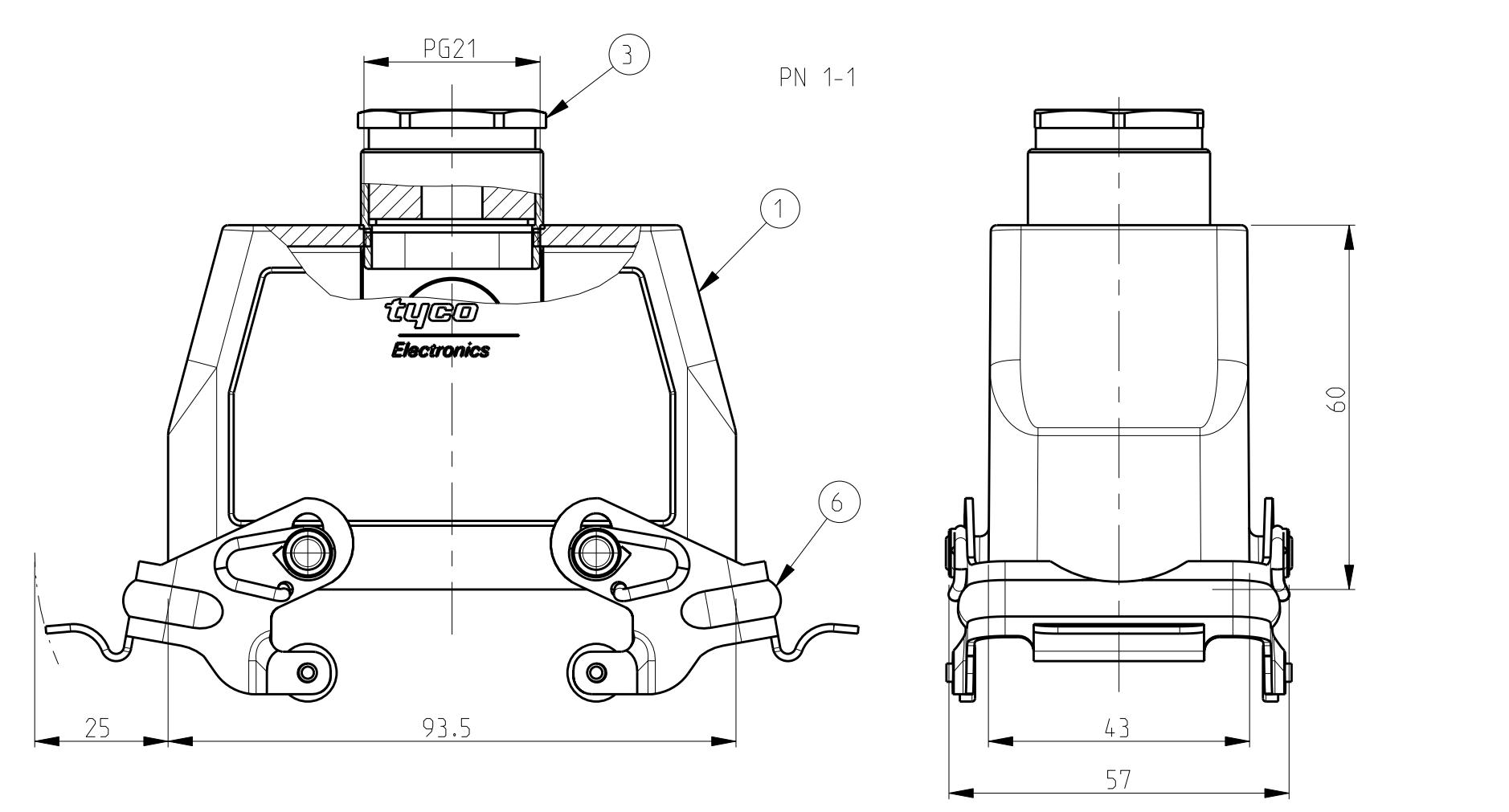
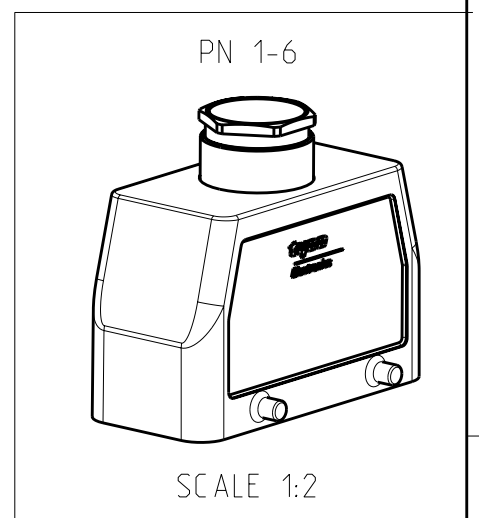


- NOTES
- Material: Housing: aluminium diecasting alloy
Seats: Neoprene
 - Surface:- Varnish grey
Aluminium oxide-Varnish Black
 - Varnish on the inside not necessary
 - Packaging
Packaging quantity 5 piece in a box



QTY	DESCRIPTION	MATERIAL	SURFACE	COLOR	ITEM NO	NOTES
2	LB-Clip bolt	Stainless steel			8	
2	LB-Clip bolt	Steel	Zinc plated	Blue	7	
2	VS-Locking clip	Steel	Zinc plated	Blue	6	
	VS-Clip bolt	Stainless steel			5	
1	Gland fitting PG21	Brass	Zinc plated		4	
1	Cable connection round PG21	Brass	Zinc plated		3	
1	Hood HB.16 Pg.1.21	Aluminium	Aluminium oxide	Black	2	
1	Hood HB.16 Pg.1.21	Aluminium		Grey	1	
2-7	1-7	1-1	2-6	1-6		
ORDERING TEXT						
HB.16.STO.1.21						
HB-K.16.STO.1.21						
HB.16.STO-VS.1.21						
HB-K.16.STO-GR.1.21						

DIMENSIONS: mm 		TOLERANCES UNLESS OTHERWISE SPECIFIED: 0.100 mm (0.004 in)		DWN: Schneider 14.01.03 CHK: Schweiger 14.01.03 APVD: -		Tyco Electronics Tyco Electronics, AMP, GmbH 0-53819, Neunkirchen, Germany	
MATERIAL: - FINISH: -		PRODUCT SPEC: 108-74001 108-74003 APPLICATION SPEC: 114-74001 114-74004		NAME: Hood HB.16.STO		SIZE: A1 CAGE CODE: 00779 DRAWING NO: C=1102293	
CUSTOMER DRAWING		WEIGHT: -		RESTRICTED TO: -		SCALE: 1:1 SHEET: 1 OF 1 REV: A3	