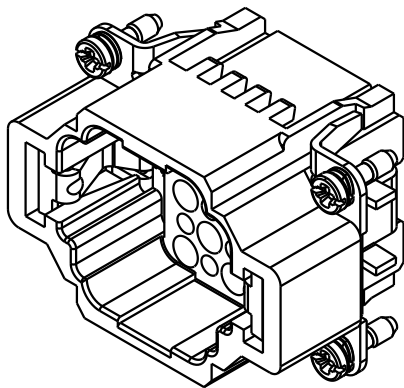
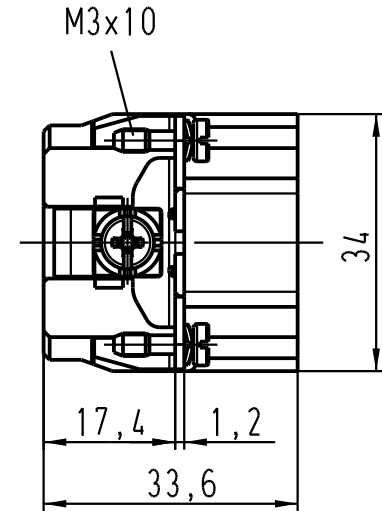
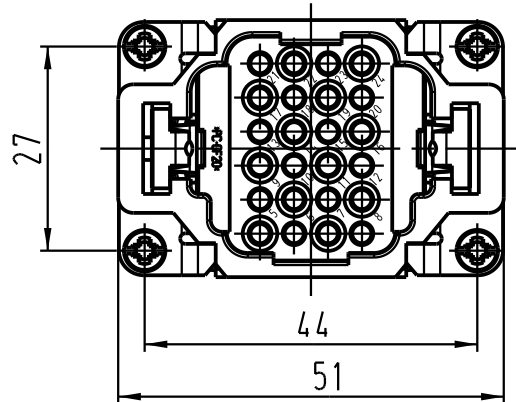
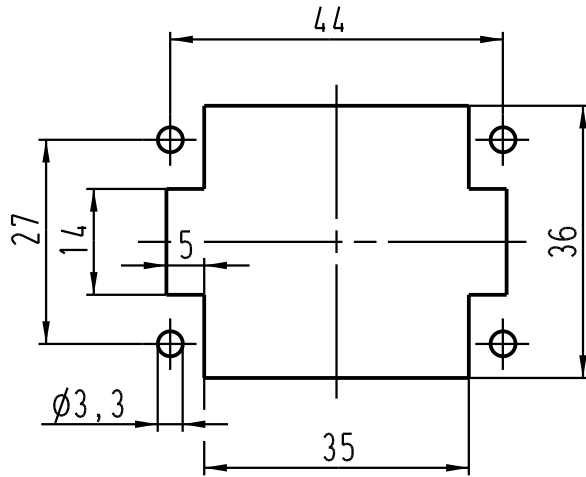




Montageausschnitt /
panel cut out



| | | | | | | | |
|---|------|-------------------|--------------------------------|----------|---|--|----|
|  All Dimensions in mm Original Size DIN A 4 | | Techn. Character. | | | Nicht tolerierte Masse / Free size tolerances | | |
| | | | Dat. | Name | Maststab / Scale 1:1 | Han 24DD-M-c Stifteinsatz / male insert | |
| | | | Detail. | 24.06.03 | | | Ho |
| | | | Insp. | | | | KR |
| | | | Stand. | | | | |
| 410513 | | | HARTING Electric GmbH & Co. KG | | | TB 09 16 024 3001 | |
| Mod. | Dat. | Name | D-32339 Espelkamp | | | | |
|  | | | | | | Blatt / page Sub. TB 09 16 024 3001 v. 22.03.99 | |