

Shock-Safe Fuseholder, 10.3 x 38 mm, Fingergrip



600 VAC · 4.5W/25A25A (UL/CSA)



Description

- Screw type fuse carrier

Standards

- UL 4248-1 / UL 512
- CSA C22.2 no. 39

Approvals

- UL File Number: E41738
- CSA File Number: 23151

Weblinks

[pdf datasheet](#), [html-datasheet](#), [General Product Information](#), [Packaging details](#), [Approvals](#), [CE declaration of conformity](#), [RoHS](#), [CHINA-RoHS](#), [REACH](#), [Distributor-Stock-Check](#), [Detailed request for product](#)

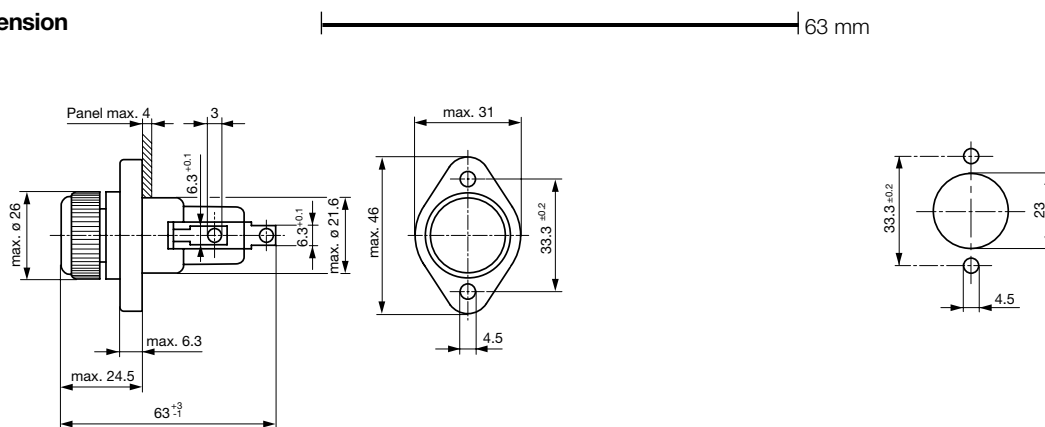
Technical Data

| | |
|------------------------------|------------------------------------|
| Fuse-Link | 10.3 x 38 mm |
| Mounting | Panel Mount, Front Side |
| Terminal | Quick-Connect 6.3 x 0.8 mm |
| Rated Voltage | 600 VAC |
| Rated current | 25 A (UL/CSA) |
| Rated Power Acceptance IEC | 4.5 W / 25 A @ Ta 23 °C |
| Degree of Protection | IP 40 / IP 67 |
| Admissible Ambient Air Temp. | -40 °C to 85 °C |
| Climatic Category | 40/085/21 acc. to IEC 60068-1 |
| Material: Socket | Thermoset, black |
| Unit Weight | 48 g |
| Storage Conditions | 0 °C to 60 °C, max. 70% r.h. |
| Product Marking | Type, Rated Voltage, Rated current |

| | |
|--------------------|---|
| Soldering Methods | Iron Soldering Profile |
| Contact Resistance | < mΩ at 20 mV |
| Panel Thickness | max 4 mm |

Detailed information on product approvals, code requirements, usage instructions and detailed test conditions can be looked up in [General Product Information](#)

Dimension



Mounting holes

All Variants

| Holder | Cap | Degree of Protection |   NNO | Reference | Order Number |
|--------|------------|----------------------|---|-----------|--------------|
| ● | Fingergrip | IP 40 | ● ● ● | 23530P | 7093.2510 |
| ● | Fingergrip | IP 67 | ● | 23530JJP | 7093.2540 |

 Most Popular.

Availability for all products can be searched real-time:<http://www.schurter.com/en/Stock-Check/Stock-Check-SCHURTER>

Packaging Unit Bulk (10 pcs.)