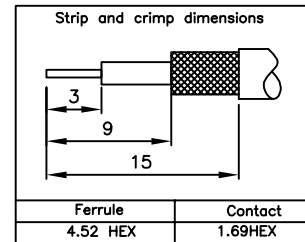
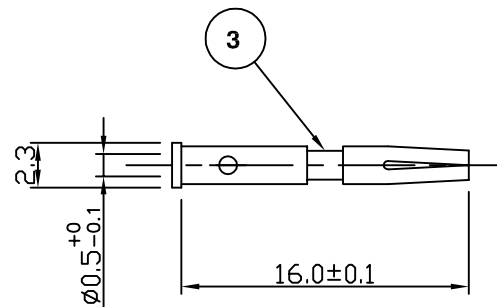
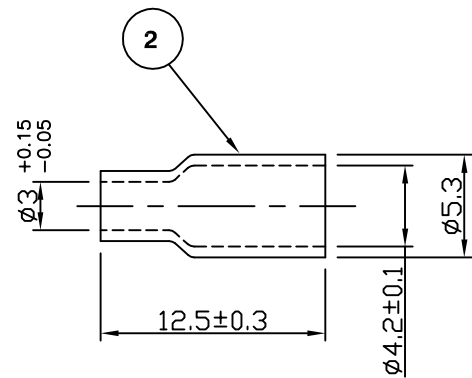
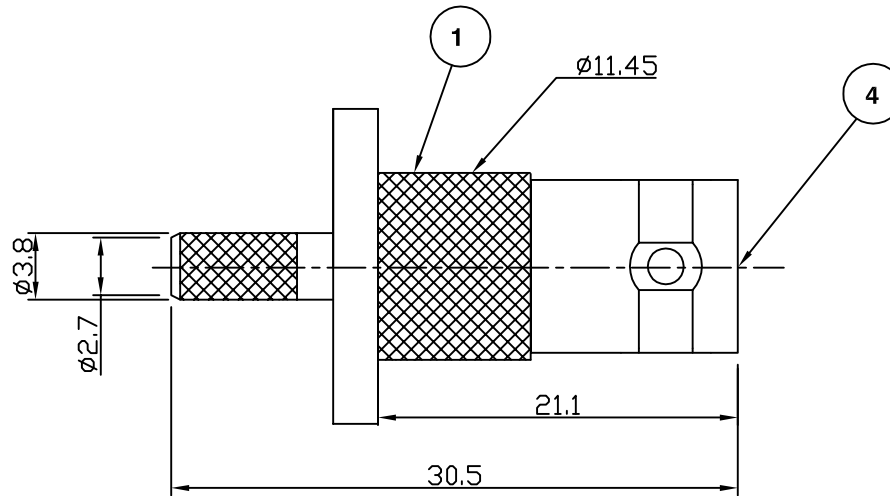
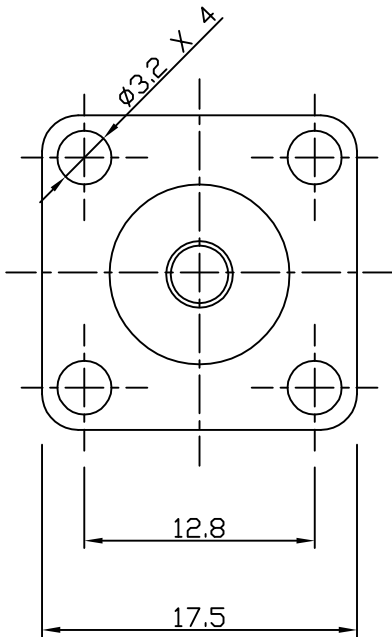


RoHS COMPLIANT



Electrical Characteristics

| | |
|-------------------------------------|-----------------------------|
| Nominal Impedance: | 50 ohms |
| Frequency Range: | DC to 4 GHz |
| VSWR: | 1.35:1 maximum |
| Insertion Loss: | 0.2 dB at 3 GHz |
| Operating Voltage (rms): | 500 V maximum at sea level |
| Dielectric Withstand Voltage (rms): | 1500 V maximum at sea level |
| Contact Resistance: | 1.5 milliohms maximum |
| Insulation Resistance: | 5000 megohms minimum |

Mechanical Characteristics

| | |
|-----------------------|------------------------|
| Mating Cycles: | 500 cycles minimum |
| Interface Dimensions: | Conform to MIL-C-39012 |

Environmental Characteristics

| | |
|--------------------|-------------------|
| Temperature Range: | -65 °C to +165 °C |
|--------------------|-------------------|

| PART | DESCRIPTION |
|------|---------------------------------------------------|
| 1 | Body Brass, nickel plated 1.78 µm |
| 2 | Ferrule Brass, nickel plated 1.78 µm |
| 3 | Contact Brass, gold plated 0.076 µm - 0.127 µm |
| 4 | Dielectric PTFE |

| | | | |
|------------------------------------------|-------|-----|-------------|
| Contact update | JT | 3 | 22 April 10 |
| Corrected Assembly instruction reference | KA | 2 | 22 Sept 08 |
| First Issue | KA | 1 | 15 Aug 07 |
| DESCRIPTION OF REVISION | APPVD | ISS | DATE |

For stripping and assembly instructions see Drawing Number: VAIB5101



Cinch Connectivity Solutions
7-13 Russel Way,
Widford Industrial Estate,
Chelmsford, Essex,
CM1 3AA, UK.
Tel: +44 (0) 1245 359515
Fax: +44 (0) 1245 358938

SCALE: Not To Scale

DIMENSIONS: mm

TOLERANCES:
± 0.2mm unless
otherwise stated

DRAWN BY:

K Ager

CHECKED BY:

M Nielson

APPROVED BY:

M Nielson

DATE:

15 Aug 07

TITLE:

BNC Flange Mount Crimp
Jack for RG179

PART NUMBER:

VB50-2071

PAGE: 1 of 1