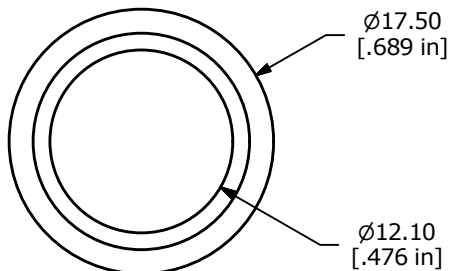


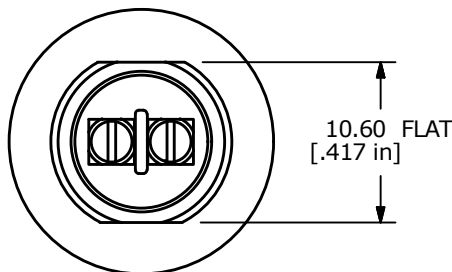
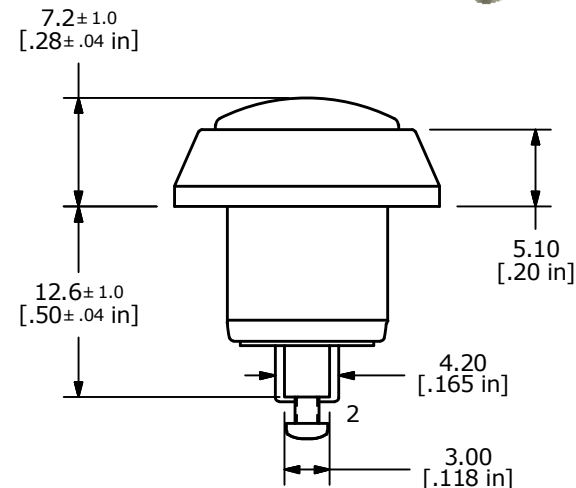
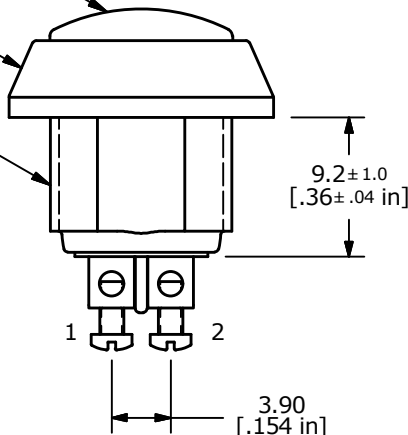
PANEL MOUNTING
MAX. PANEL THICKNESS 4mm



▲ DOMED ACTUATOR
COLOR: BLACK

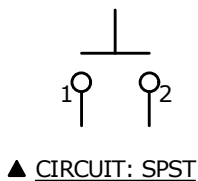
▲ BODY COLOR:
BLACK ANODIZED

M12x1.0
THREAD



SWITCH FUNCTION	
POS. 1	POS. 2
OFF	(ON)
OPEN	1-2

(ON) = MOMENTARY



NOTE:

1. ALL DIMENSIONS IN MM [INCH]
2. GENERAL TOLERANCE: X.X=±0.4
X.XX=±0.25
3. TERMINAL NUMBERS FOR REF ONLY
- ▲ 4. CONTACT MATERIAL: SILVER
5. RATING: 2A @ 36 VDC
6. ELECTRICAL LIFE: 200,000 CYCLES
7. CONTACT RESISTANCE: 50 mΩ MAX. @ 1A 12VDC (INITIAL)
8. INSULATION RESISTANCE: 1,000 MΩ MIN. @ 500VDC.
9. DIELECTRIC STRENGTH: 2,000 VAC rms.
10. OPERATING TEMPERATURE: -20°C TO +70°C.
11. PANEL THICKNESS MAX: 4.0 mm.
12. INGRESS PROTECTION: IP65
13. ▲ DENOTES CRITICAL PARAMETER.
14. 2011/65/EU (ROHS) COMPLIANT
- ▲ 15. HARDWARE INCLUDED, 1 O-RING & 1 HEX NUT.(NOT SHOWN)



B	22668	UPDATED FLAT ALIGNMENT	1/9/17	MJR
A	00051	RELEASE FOR PRODUCTION	8/5/09	CAB
REV	PCR NO	DESCRIPTION	DATE	BY

TITLE PV5S64011				
SCALE 2:1	DATE 8/5/2009	DR EBP	DWG 52-PV5S64011	REV B

THE INFORMATION CONTAINED IN THIS DOCUMENT IS PROPRIETARY TO E-SWITCH AND IS NOT TO BE COPIED OR TRANSFERRED