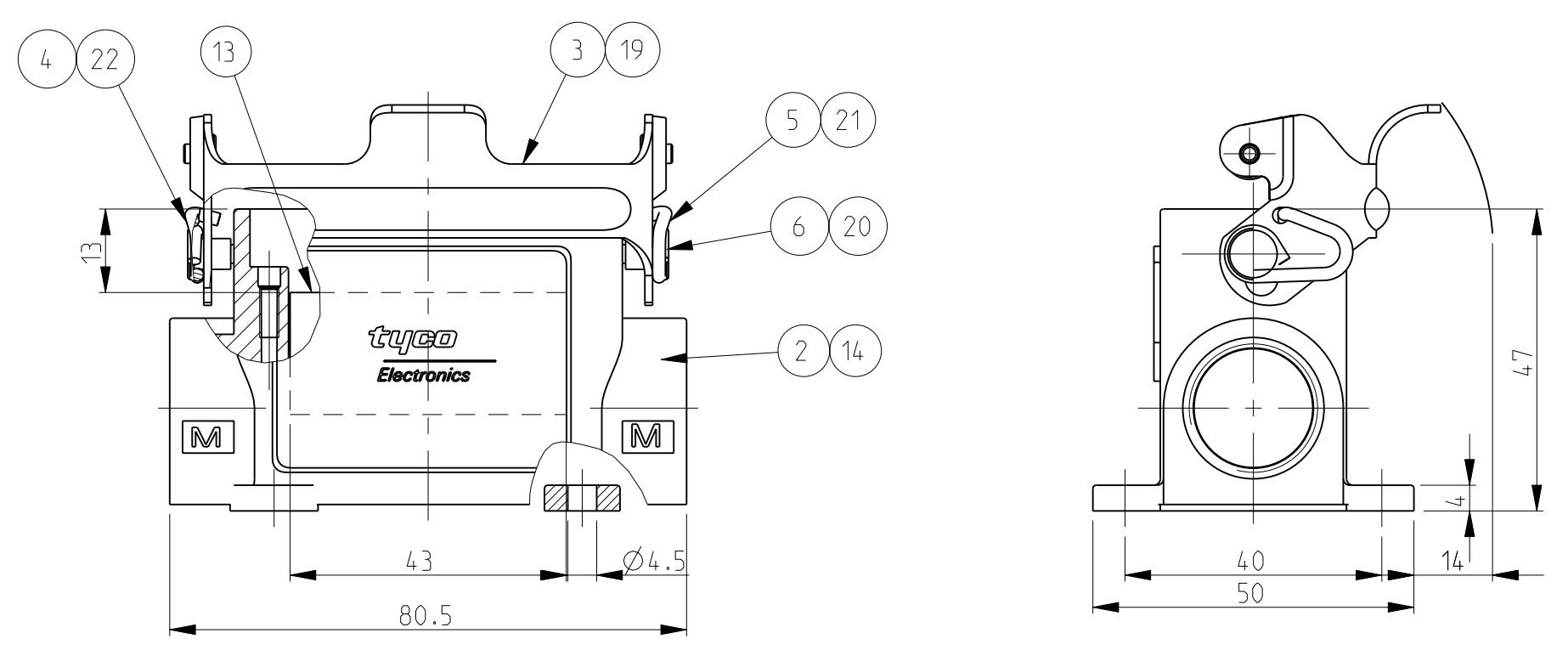
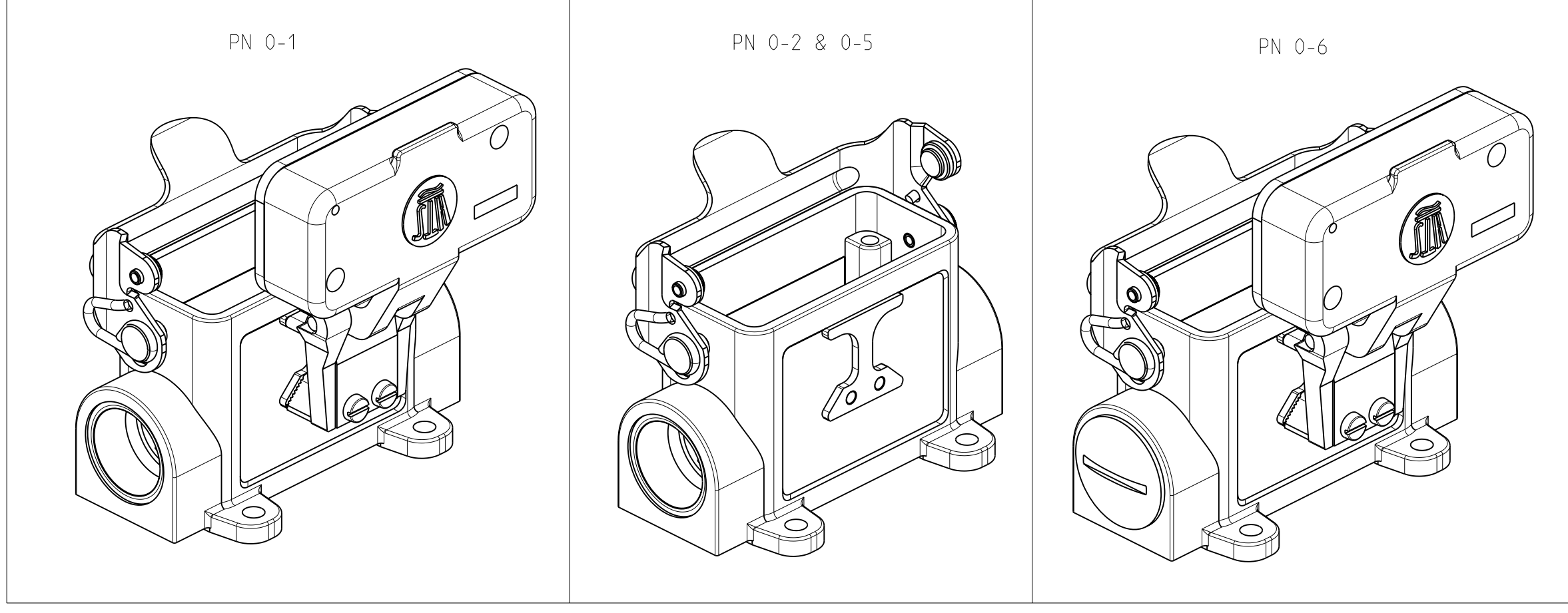
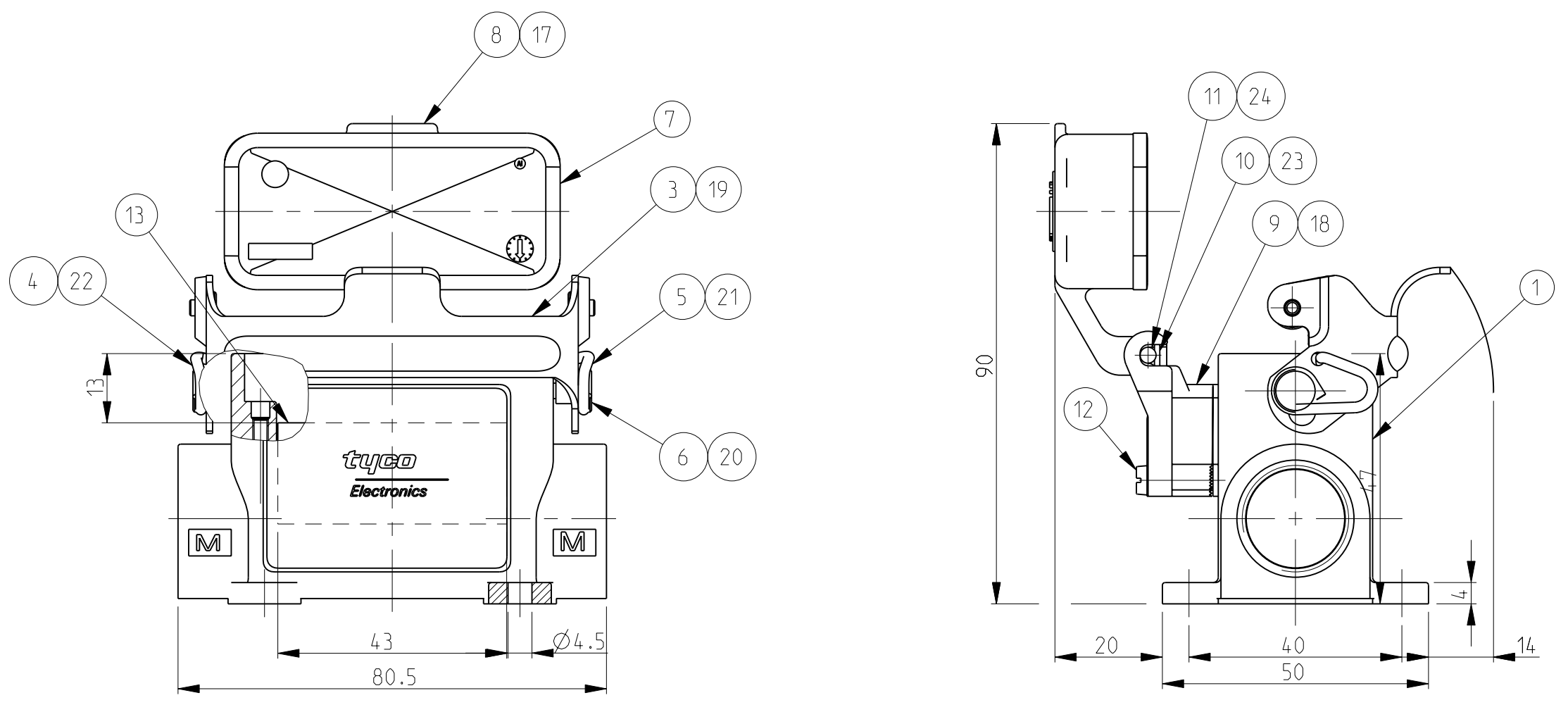


PN 0-2 & 0-5

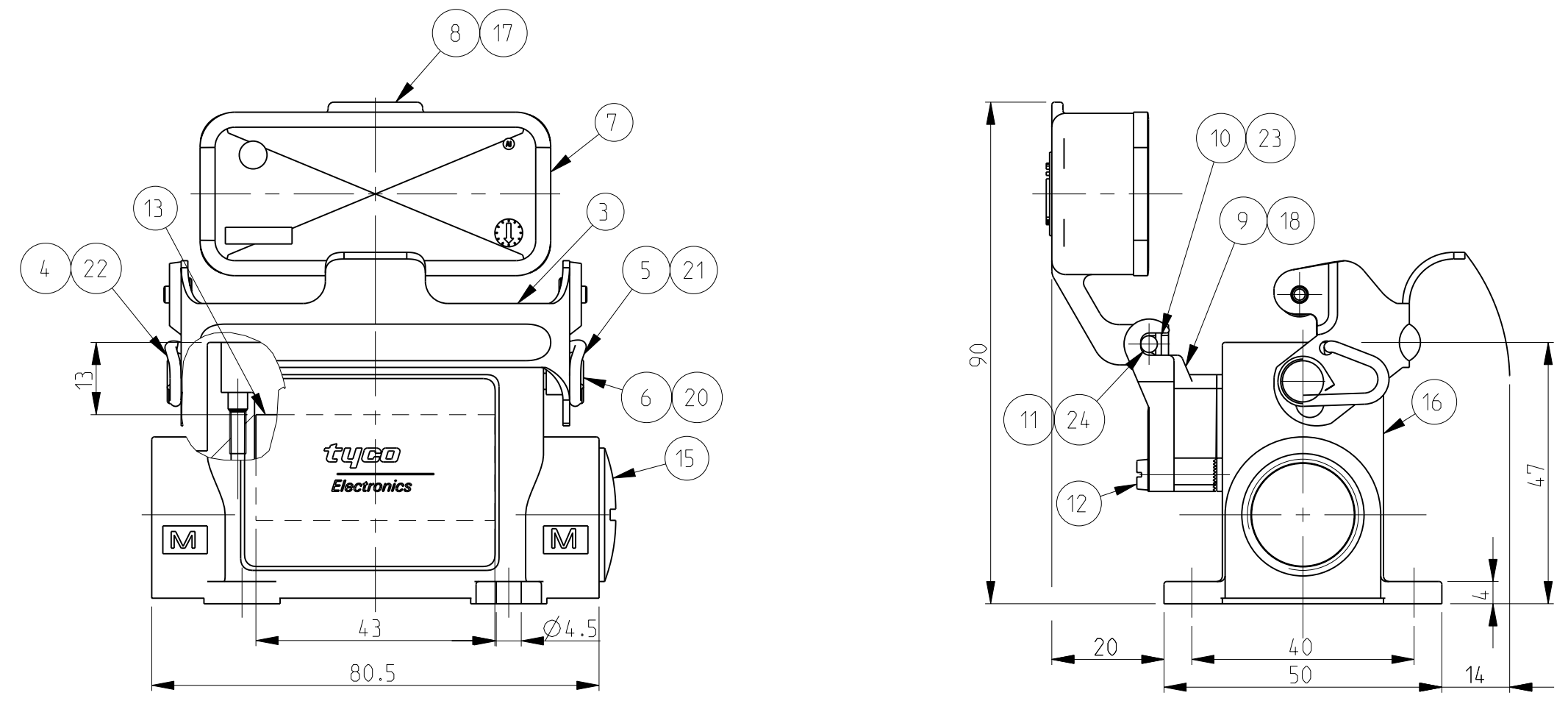


- NOTES
- PACKAGING QUANTITY: 5 PIECES PER BOX
 - MATERIAL: HOUSING: ALUMINIUM DIECASTING ALLOY
SEAL: NEOPRENE
 - SURFACE: VARNISH GREY
 - VARNISH ON THE INSIDE NOT NECESSARY

PN 0-1



PN 0-6



QTY	DESCRIPTION	MATERIAL	SURFACE	COLOR	ITEM NO	REMARKS			
1	GROVED PIN	STAINLESS STEEL	BLANC		24				
1	LEAF SPRING	STAINLESS STEEL	BLANC		23				
1	CLIP SPRING RIGHT	STAINLESS STEEL	BLANC		22				
1	CLIP SPRING LEFT	STAINLESS STEEL	BLANC		21				
2	CLIP POSITIONER	STAINLESS STEEL	BLANC		20				
1	SIDE CLIP	STAINLESS STEEL	BLANC		19				
1	HINGE	ALUMINIUM	HART COAT	BLACK	18				
1	COVER	ALUMINIUM	HART COAT	BLACK	17				
1	Surface Mounted Housing-Side Entry	ALUMINIUM	HART COAT	BLACK	16				
1	Blanking Piece With Sealing-Metric				15				
1	Surface Mounted Housing-Side Entry	ALUMINIUM		BLACK	14				
2	2 Insulating Tape	COROPLAST TYP 303		GREY	13	PVC-Soft			
2	2 Cylinder Screw	STAINLESS STEEL	BLANC		12	M3x16			
	1 GROVED PIN	STEEL	ZINC PLATED	BLUE	11	Di3x30			
	1 LEAF SPRING	STEEL	ZINC PLATED	BLUE	10				
	1 HINGE	ALUMINIUM		GREY	9				
	1 COVER	ALUMINIUM		GREY	8				
1	1 PROFILE SEAL	Neoprene		Black	7				
2	2 CLIP POSITIONER	STEEL	ZINC PLATED	BLUE	6				
1	1 CLIP SPRING LEFT	STEEL	ZINC PLATED	BLUE	5				
1	1 CLIP SPRING RIGHT	STEEL	ZINC PLATED	BLUE	4				
1	1 SIDE CLIP	STEEL	ZINC PLATED	BLUE	3				
	1 Surface Mounted Housing-Side Entry	ALUMINIUM		GREY	2				
	1 Surface Mounted Housing-Side Entry	ALUMINIUM		GREY	1				
0-6	0-5	0-2	0-1	DESCRIPTION	MATERIAL	SURFACE	COLOR	ITEM NO	REMARKS

HA.10.SGD-LB.2.M20.Z
 HA.10.SG-LB.2.M20.Z
 HA-EMV.10.SG-LB.2.M20.G
 HA-K.10.SGD-LB

DIMENSIONS:	TOLERANCES UNLESS OTHERWISE SPECIFIED:	DWN	3/3/2006	Tyco Electronics AMP GmbH 53757 Sankt Augustin (Germany)
mm	0.130 0.254 0.508 1.27 2.54 3.18 6.35 12.7 25.4 50.8 76.2 101.6 152.4 304.8 609.6 1219.2	CHK	3/3/2006	
	PLC ±	APVD	3/3/2006	
	PLC ±	NAME	E-SCHNURPFILL	
	PLC ±	PRODUCT SPEC		SURFACE MOUNTED HOUSING HA.10
	PLC ±	APPLICATION SPEC		SIZE CAGE CODE DRAWING NO
	PLC ±	WEIGHT		A 00779 C=1106410
	FINISH	CUSTOMER DRAWING		SCALE 1:1 SHEET 1 OF 1 REV: B4