

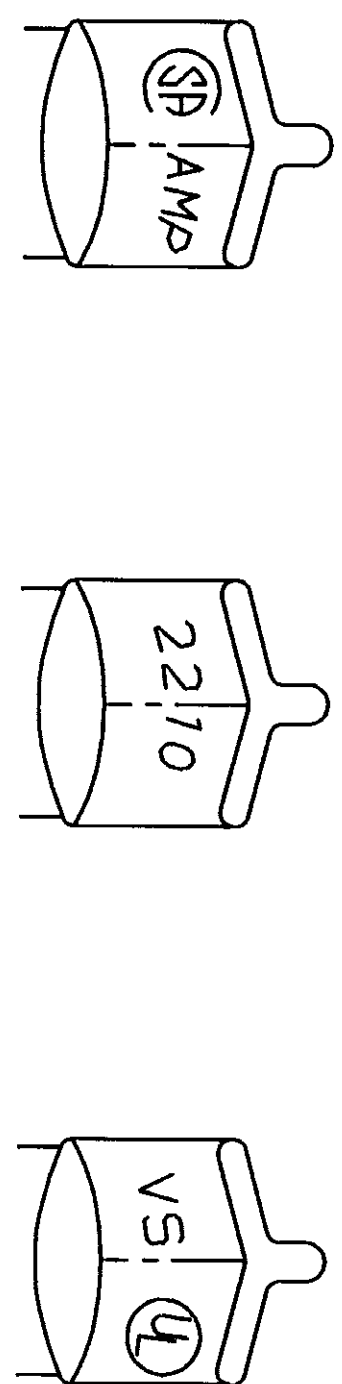
THIS DRAWING IS UNPUBLISHED. RELEASED FOR PUBLICATION BY AMP INCORPORATED. ALL INTERNATIONAL RIGHTS RESERVED.

LOC 6 DIST 14

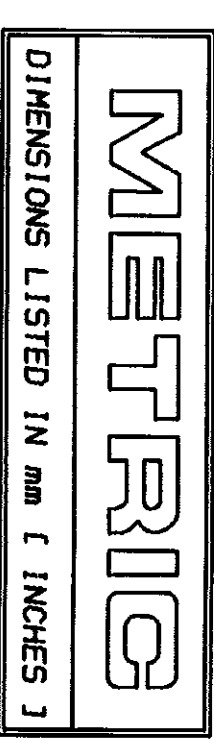
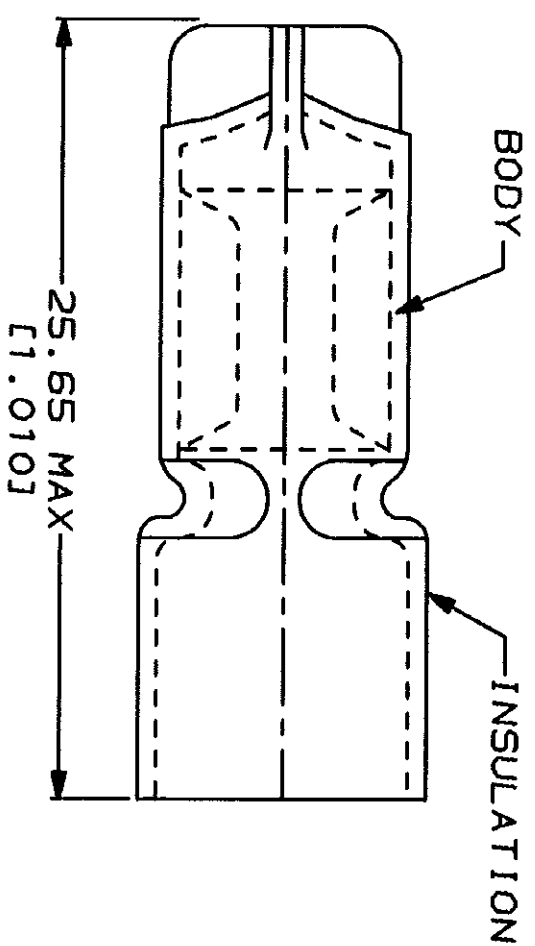
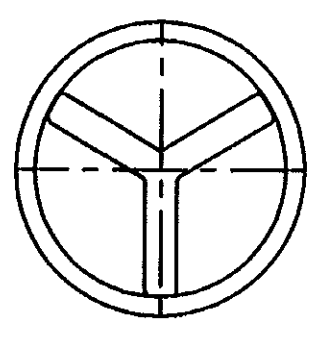
ZONE	LTR	REV	DATE	APPD
M		1	5/93	VJ/MC

REVISIONS

DESCRIPTION	DATE	APPD
REV / 0720-0071-93	5/93	VJ/MC



STAMPING DETAIL



NOTES:
1. WIRE INSULATION OPENING 7.62mm [.300]
MIN DIA

AMP WIRE RANGE	UL Listed	LR7189 Certified
22-10 AWG SOLID OR STRANDED	22-10 AWG SOLID OR STRANDED	22-10 AWG SOLID OR STRANDED

AMP INCORPORATED
CUSTOMER SERVICE SYSTEMS

FOR ADDITIONAL PRODUCT INFORMATION OR COPIES OF DRAWINGS AND TECHNICAL DOCUMENTS	1-800-522-6752	PRODUCT INFORMATION CENTER
FOR APPLICATION	1-800-722-1111	TOOLING ASSISTANCE CENTER
FOR ORDER ENTRY	1-800-526-5142	

MAX RECOMMENDED OPERATING TEMPERATURE: 90°C MAX
VOLTAGE RATING: 300V MAX
CIRCULAR MIL AREA: 2.62-6.64mm² (5180-13100) SOLID OR STRANDED

DO NOT SCALE PRINT. UNLESS SPECIFIED DIMENSIONS ARE IN MILLIMETERS.
TOLERANCES ON:
2 PLC DEC ± 0.20(.008)
3 PLC DEC ± .05
ANGLES ± .5°
MATERIAL:
BODY: COPPER
INSULATION: PVC
COLOR: YELLOW
FINISH:
SPliced: TIN PLATED
MIL-T-10727

DR 1/93	6/93	50	LOOSE PC, BOX	8-34865-2
CHK 1/93	R HEBERT	-	LOOSE PC	34865
APPD 1/93	M CLINE	QTY	DESCRIPTION	PART NO
APPD 1/93	M ELLIS		AMP	AMP Incorporated Harrisburg, PA 17105-3608
PRODUCT SPEC			SPLICE, WIRE, CLOSED END	
APPLICATION SPEC	SIZE B	CAGE CODE 00779	DRAWING NO C=34865	
WEIGHT -	SCALE 4:1		SHEET 1 OF 1	

AMP 1470-15 REV 3-92 07 MAY 1993 08:25:31 AMP12368 <UJ128A>DEPT1132>U.DWG1132>U.RBY>U.CLOSED-END>U.CUST

CUSTOMER DRAWING