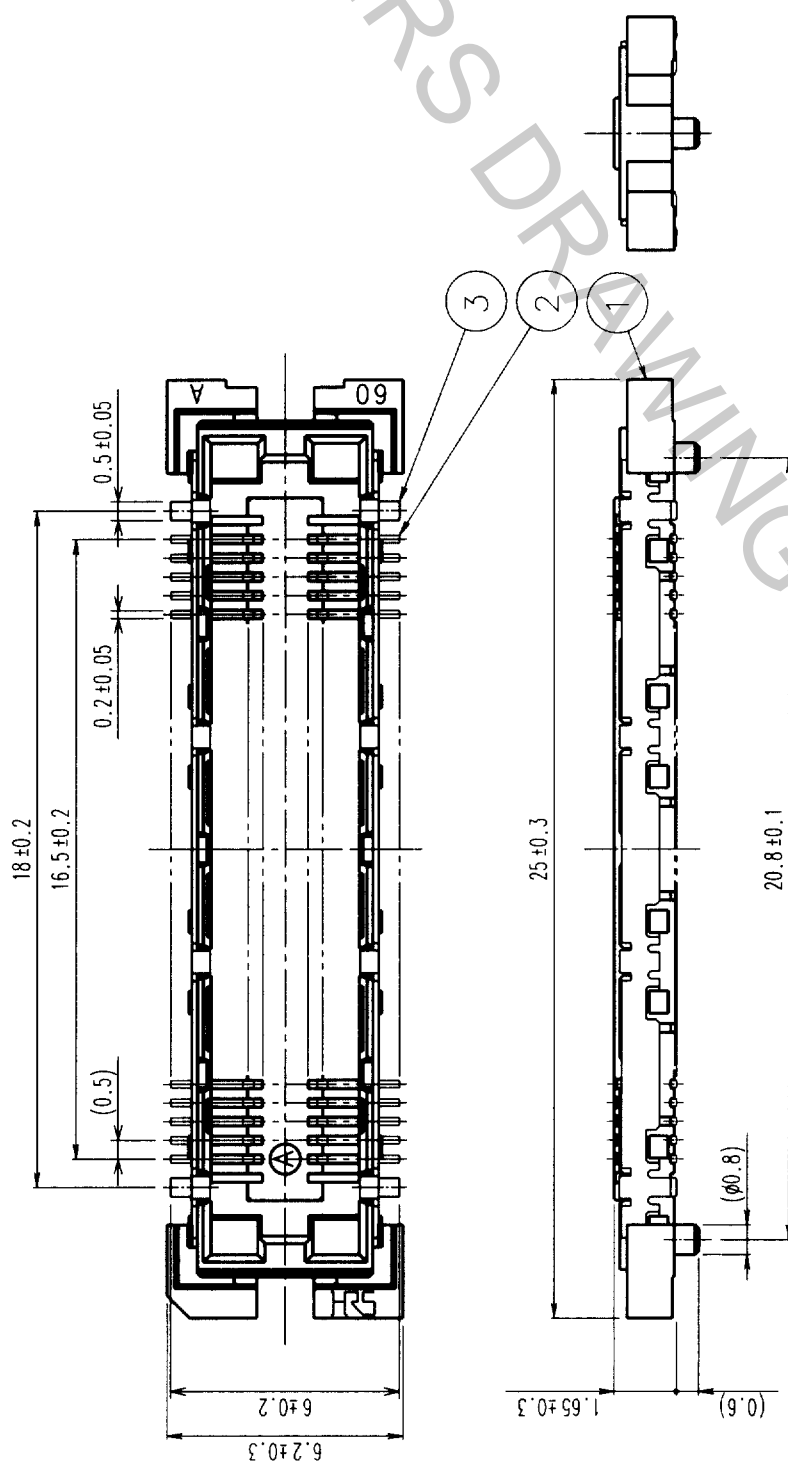
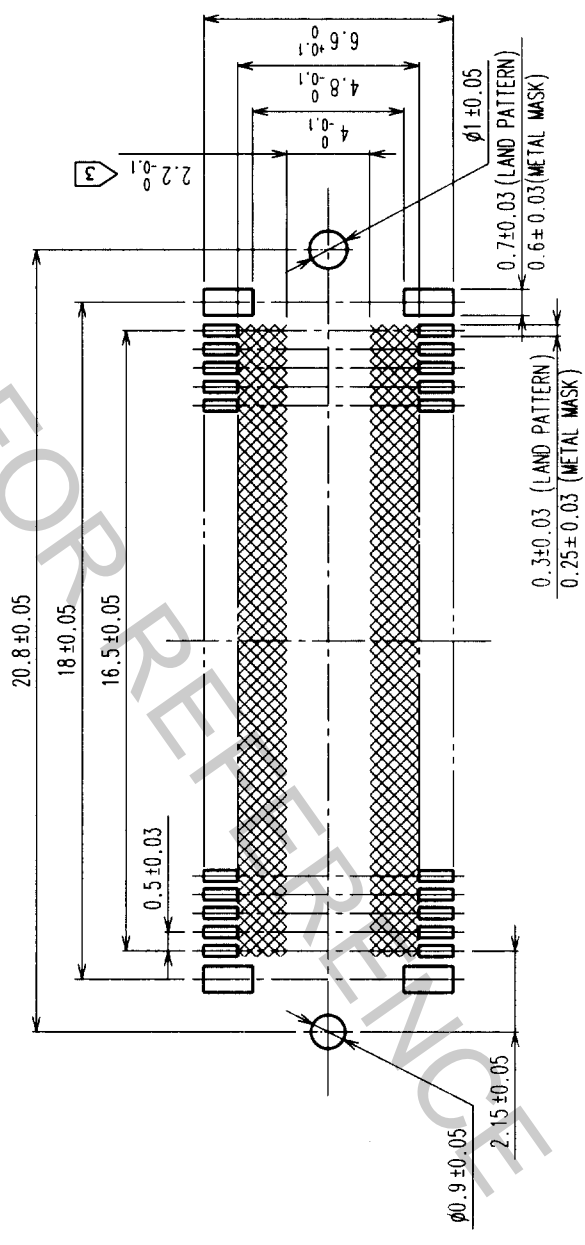


COUNT DESCRIPTION OF REVISIONS	BY	CHKD	DATE	COUNT DESCRIPTION OF REVISIONS	BY	CHKD	DATE



RECOMMENDED LAND PATTERN DIMENSION OF PCB



- NOTES 1 SMT LEAD-COPLANARITY: 0.1 MAX.
- 2 THIS PRODUCT HAS NO POLARITY TO PATTERN FOR MOUNTING.
- 3 MAKE SURE WIDTH OF PATTERN IS WITHIN THAT OF LAND, OR LEAD MAY TOUCH PATTERN. (THIS APPLIES TO HATCHED AREA.)
- 4 TO BE EMBOSSED CARRIER TAPED AS SPECIFIED IN SHEET 2.

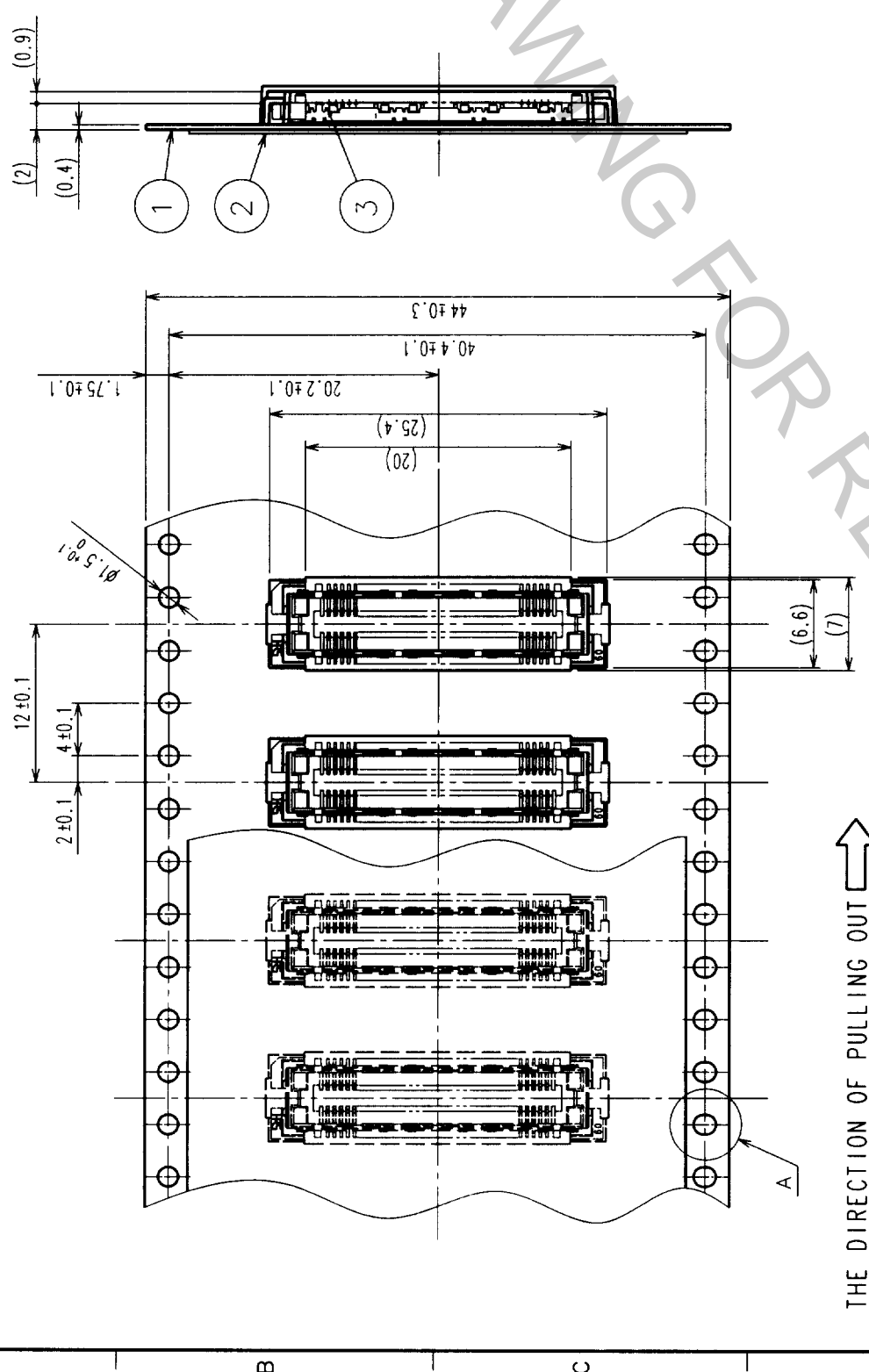
2	PHOSPHOR BRONZE	CONTACT AREA: GOLD (0.1µm) OVER NICKEL
1	LCP	LEAD: GOLD FLASH OVER NICKEL
NO.	MATERIAL	FINISH, REMARKS
3	PHOSPHOR BRONZE	TIN PLATED
CODE NO. (OLD)	CL	DESIGNED
		CHECKED
		APPROVED
		RELEASED
		DRAWN
		NO.
		MATERIAL
		FINISH, REMARKS
		NO.
		DESIGNED
		CHECKED
		APPROVED
		RELEASED
		DRAWING NO.
		PART NO.
		SCALE
		UNITS
		mm

TO PCK

EDC3-152116-01	FX11LA-68S-SV (21)
5 : 1	CL573-0142-6-21
HIROSE ELECTRIC CO., LTD.	1/2

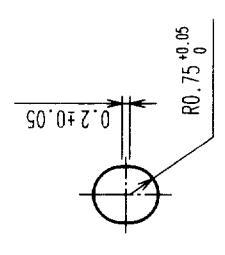
COUNT	DESCRIPTION OF REVISIONS	BY	CHKD	DATE	COUNT	DESCRIPTION OF REVISIONS	BY	CHKD	DATE
△					△				
△					△				
△					△				

REELED DIMENSION (Free)



THE DIRECTION OF PULLING OUT →

A (5:1)



- NOTES 1 REEL: 1000 CONNECTORS.
- 2 MINIMUM 10 COMPARTMENTS FROM BOTH REEL ENDS REMAIN EMPTY.
- 3 THIS PRODUCT HAS NO POLARITY TO TAPE AND REEL PACKAGING.

2		TOP COVER TAPE		3		FINISH, REMARKS	
1		EMBOSSED CARRIER TAPE		3 (CONNECTOR)		FINISH, REMARKS	
NO.	MATERIAL	FINISH, REMARKS	NO.	MATERIAL	FINISH, REMARKS	DESIGNED	CHECKED
CL							
DRAWING FOR PACKING		DRAWN		DESIGNED		CHECKED	
SCALE 2:1		UNITS mm		PART NO. EDC3-152116-01		APPROVED	
DRAWING NO. EDC3-152116-01		HIROSE ELECTRIC CO., LTD		PART NO. FX11LA-68S-SV(21)		APPROVED	
UNITS mm		HIROSE ELECTRIC CO., LTD		CODE NO. CL573-0142-6-21		APPROVED	
						RELEASED	

TO	
PCK	

2