

- NOTES
1. INTERFACE DIMENSIONS CONFORM TO USB2.0 STANDARDS.
 2. ALL 9 LEADS(5 PINS + 4 METAL FITTINGS)SMT AND CO-PLANARITY SHALL BE AS FOLLOWS.

SMT AGAINST DATUM	CO-PLANARITY
0±0.075	WITHIN 0.1

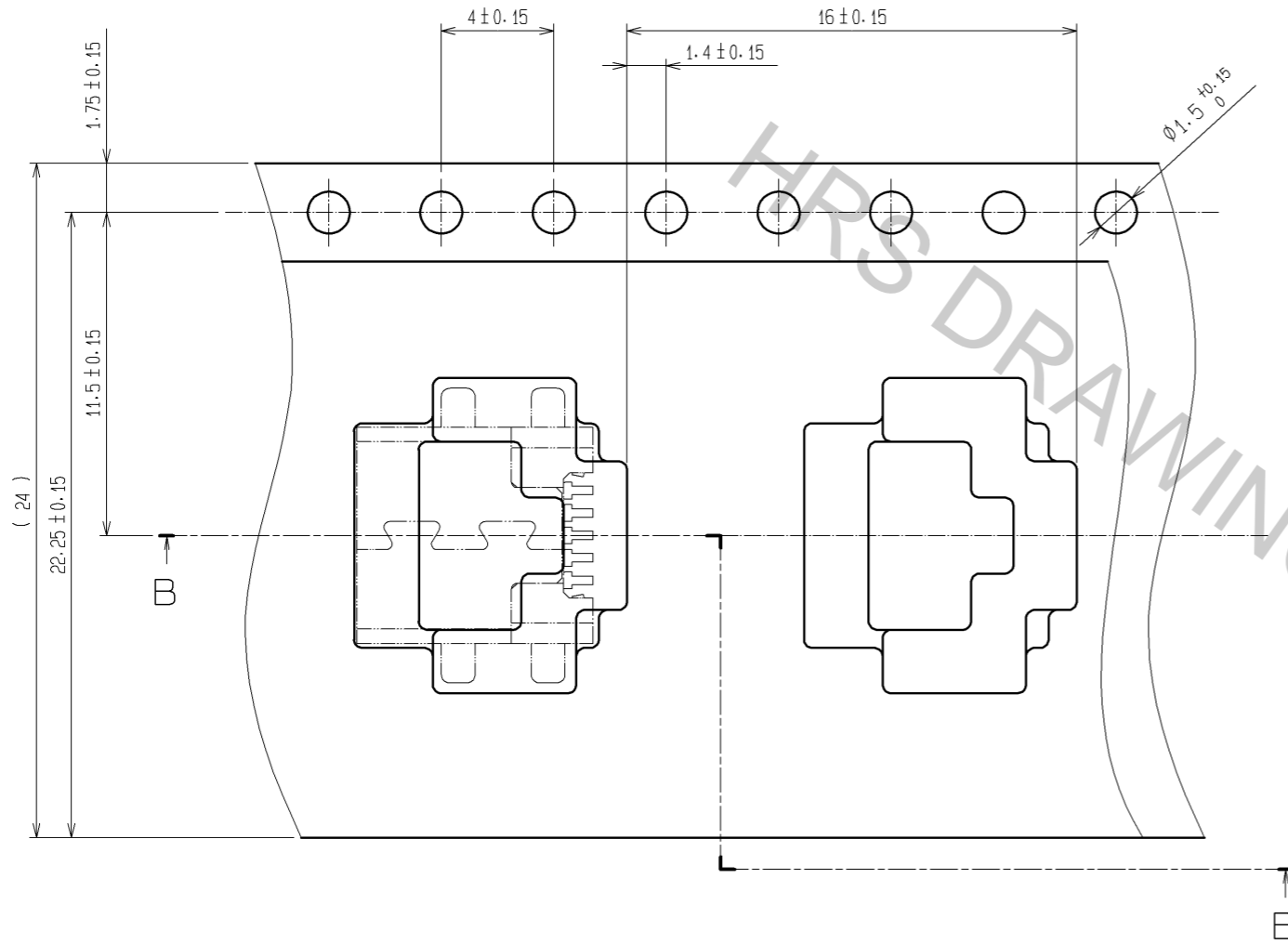
3. PER REEL:900 PIECES.

2	BRASS	NICKEL PLATED 1 #M + TIN PLATED 2 #M	1		
1	POLYAMIDE	BLACK UL94V-0	3	PHOSPHOR BRONZE	CONTACT AREA:NICKEL PLATED 1.25 #M + GOLD PLATED 0.75 #M MOUNTING AREA:NICKEL PLATED 1.25 #M + TIN-COPPER PLATED 1 #M OTHERS AREA:NICKEL PLATED 1.25 #M
NO.	MATERIAL	FINISH, REMARKS	NO.	MATERIAL	FINISH, REMARKS
UNITS mm		SCALE 5 : 1	COUNT 3	DESCRIPTION OF REVISIONS DIS-E-003848	DESIGNED TA. TORIHARA
		APPROVED : A0. SUZUKI	05. 01. 05	DRAWING NO. EDC3-124218-00	CHECKED RI. TAKAYASU
HIROSE ELECTRIC CO., LTD.		CHECKED : MR. NAKAMURA	05. 01. 05	PART NO. UX60RA-MB-5ST	DATE 11. 07. 15
		DESIGNED : HK. TANAKA	05. 01. 05	CODE NO. CL240-0007-5-00	
		DRAWN : HK. TANAKA	05. 01. 05		

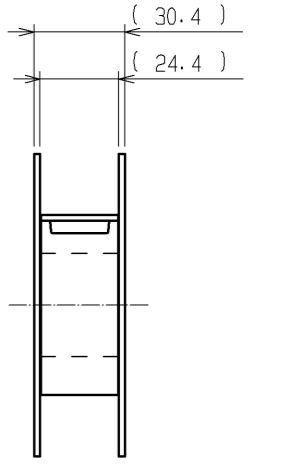
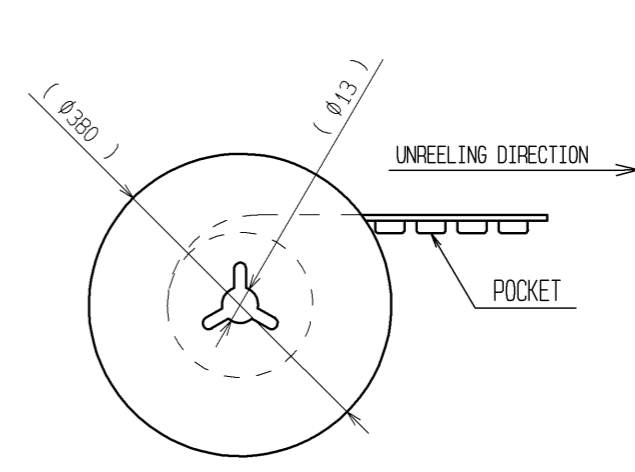
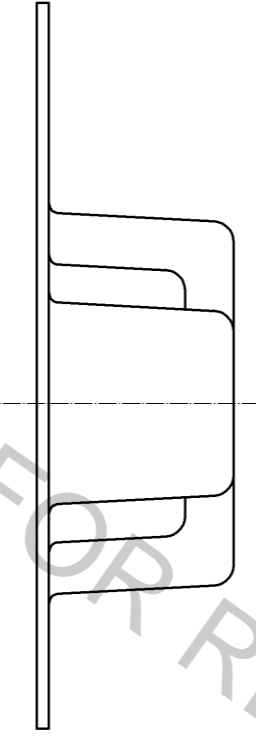
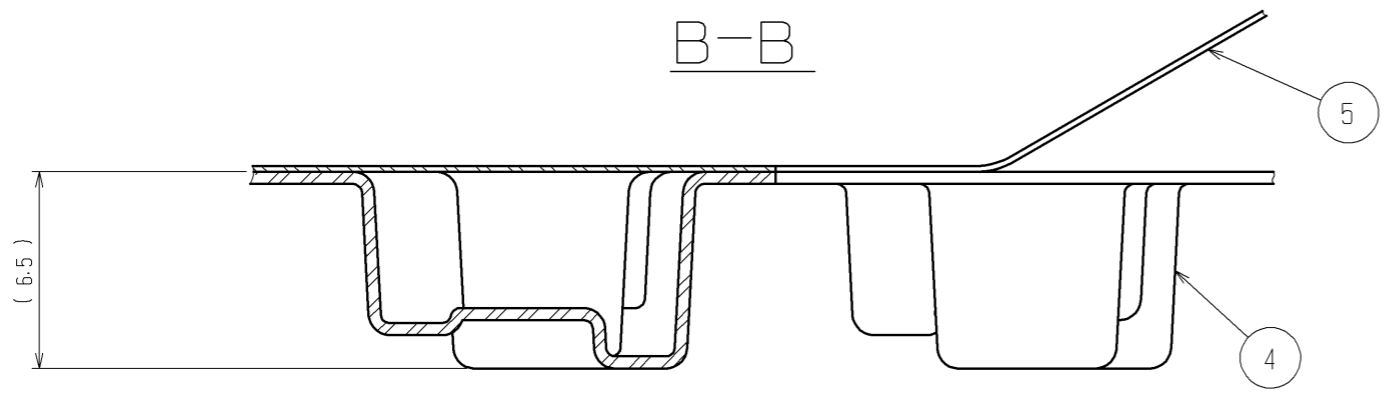
△ DRAWING FOR PACKING

UNREELING DIRECTION →

PACKAGING CONDITION(FREE)



B-B



HRS	DRAWING NO.	EDC3-124218-00	2/2
	PART NO.	UX60RA-MB-5ST	
	CODE NO.	CL240-0007-5-00	

Apr.1.2017 Copyright 2017 HIROSE ELECTRIC CO., LTD. All Rights Reserved.