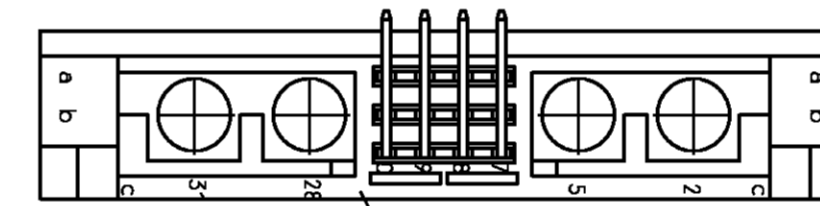
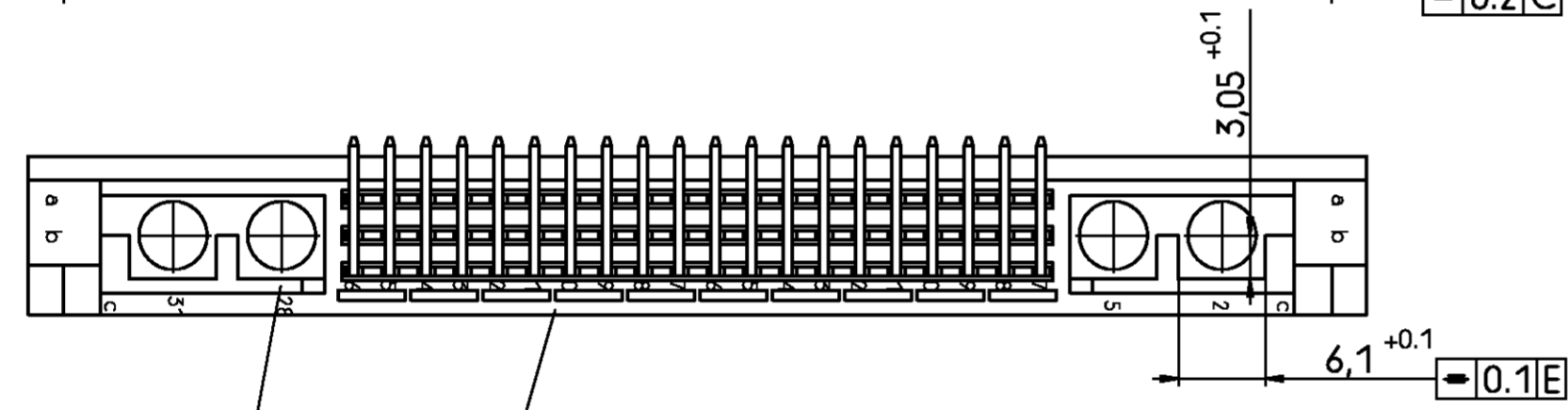
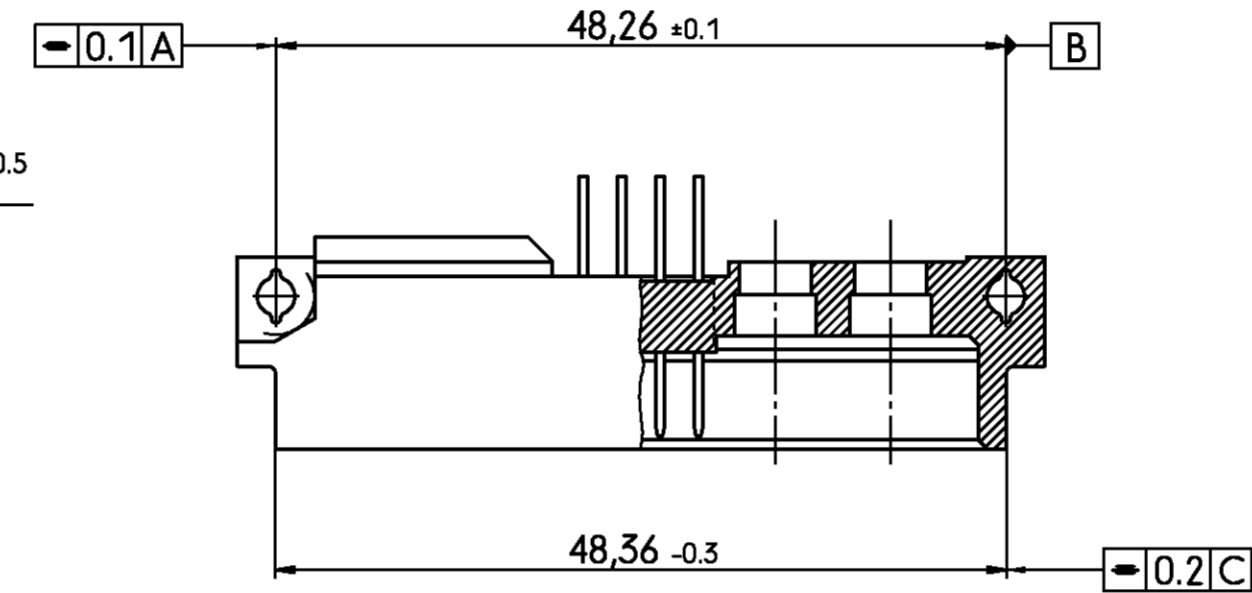
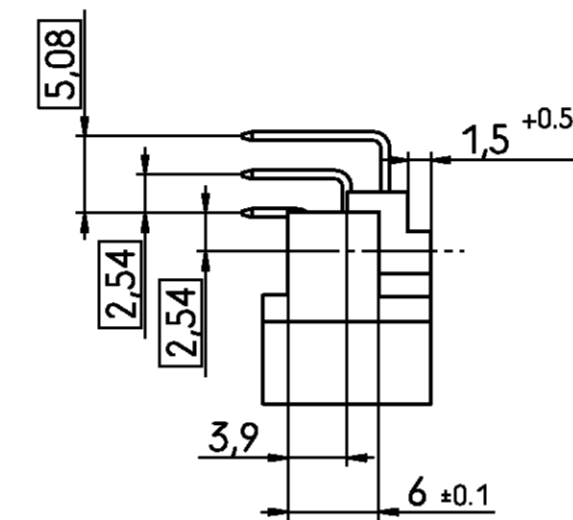
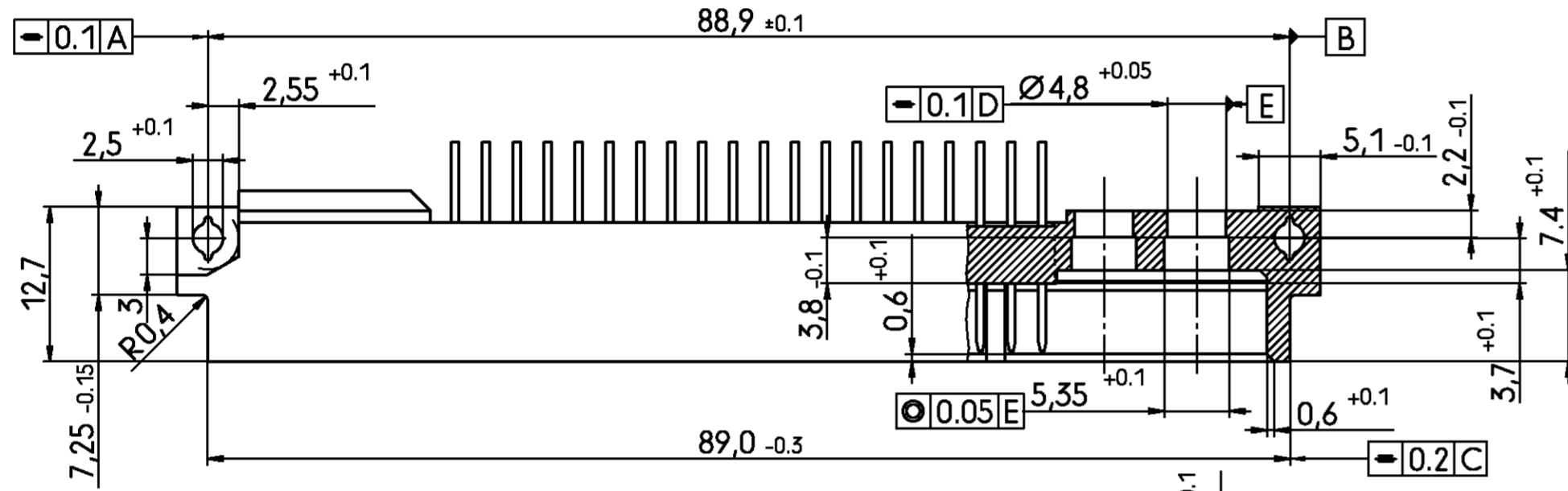
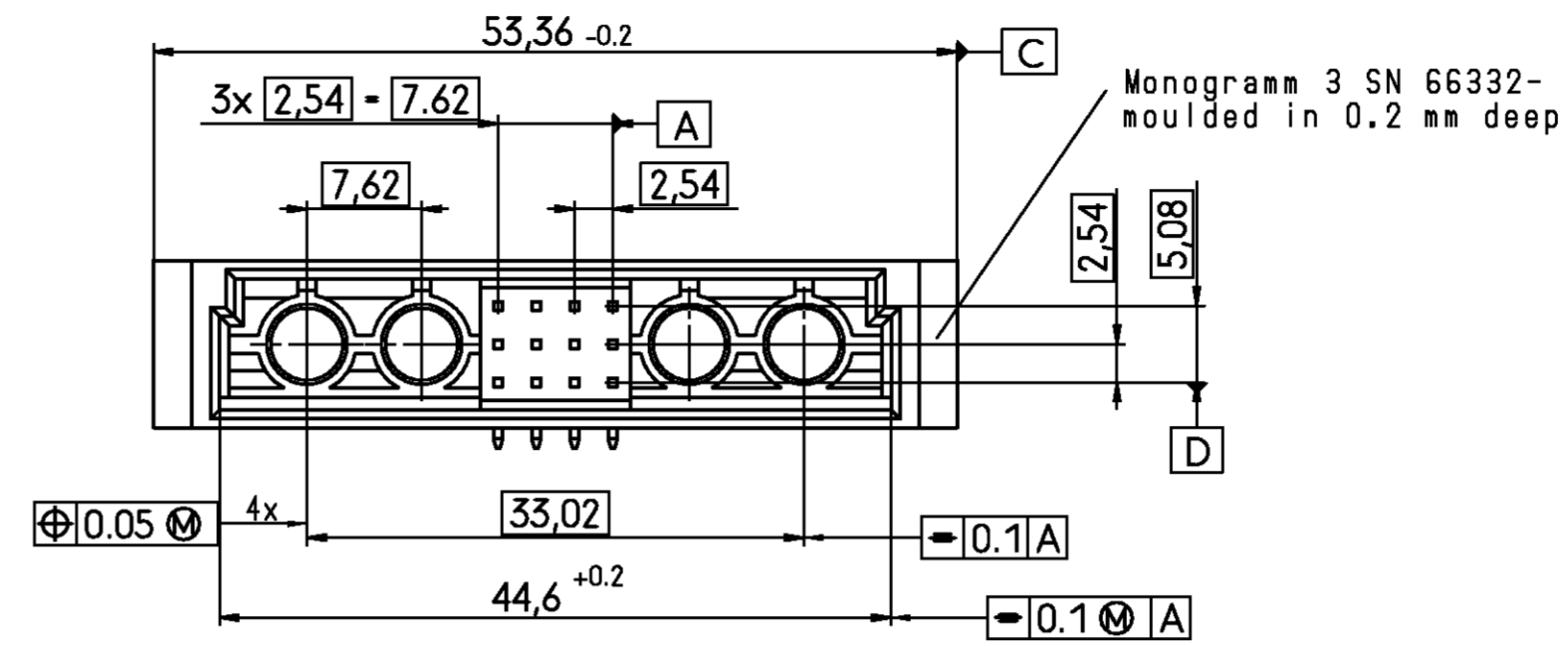
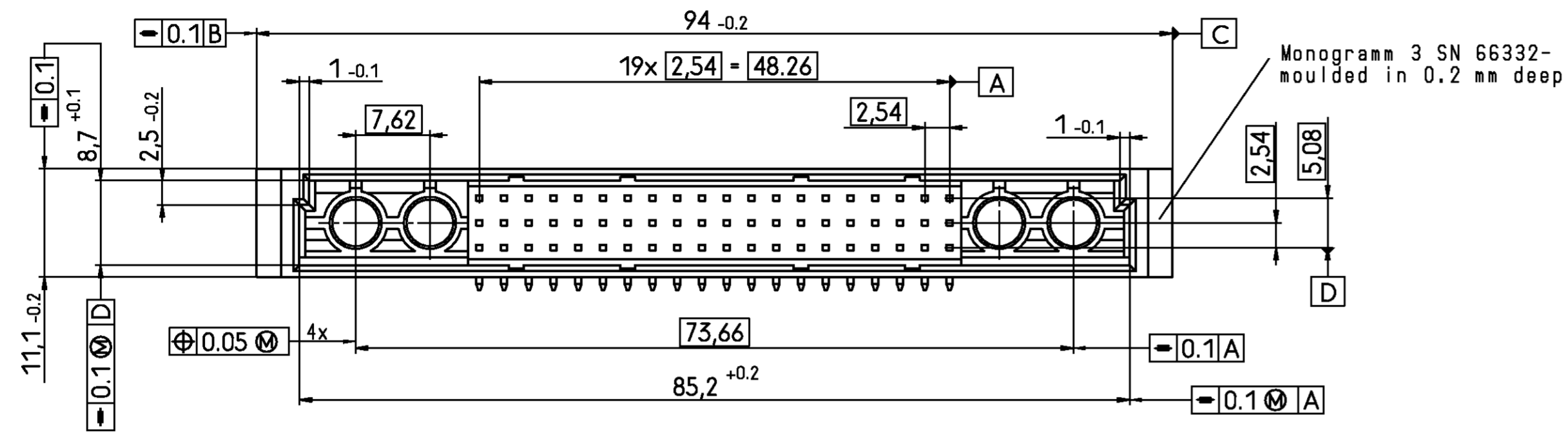
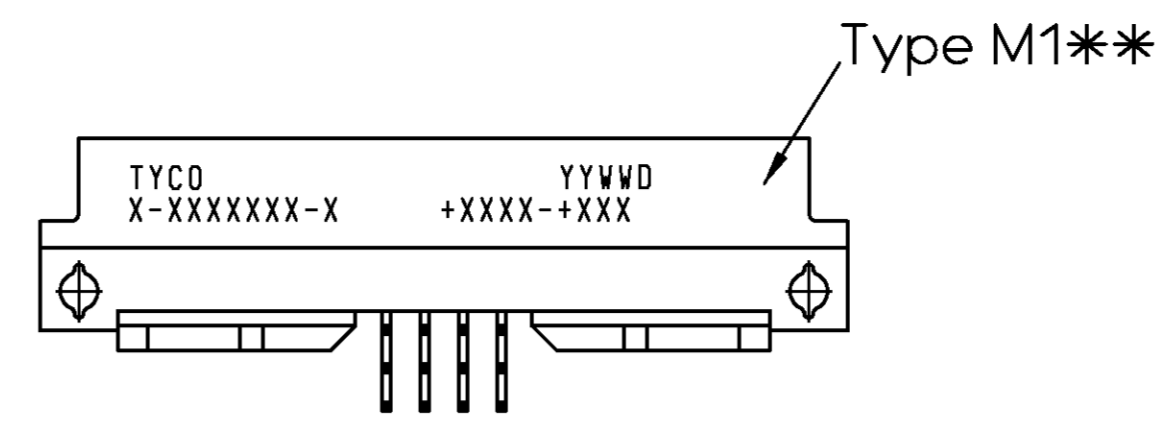
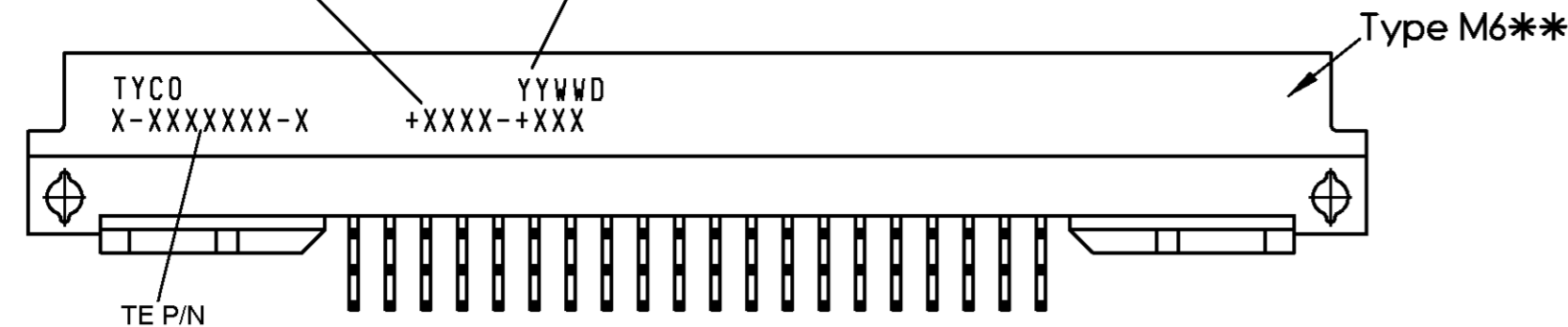


Manufacturing date consisting of:
2 digits for the year (YY), 2 digits for the week (WW) and 1 digit for the day (D)
old P/N (without V42254-) +XXXX-+XXX

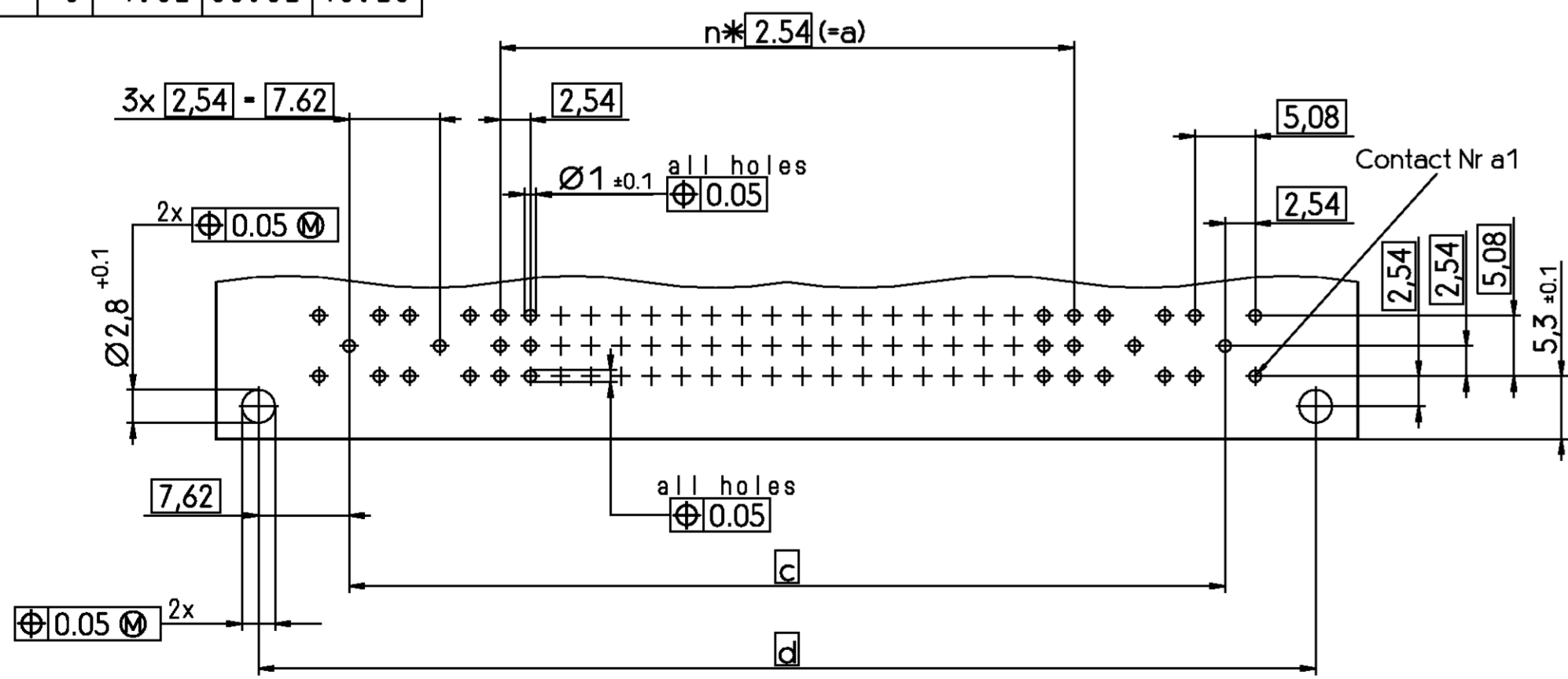


Housing material: PBTP 30x glassfilled (UL94V-0)
Pebble grey (similar RAL 7032)
Inscription E 1.25-5 DIN 30640 moulded in 0.2 mm deep

Housing material: PBTP 30x glassfilled (UL94V-0)
Pebble grey (similar RAL 7032)

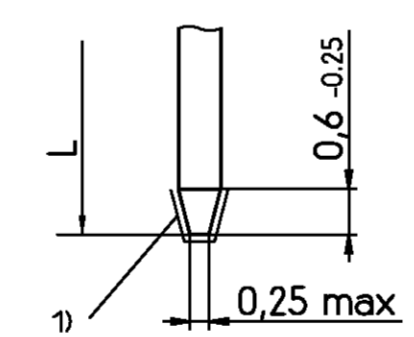
Type	n	a	c	d
M	19	48.26	73.66	88.9
M/2	3	7.62	33.02	48.26

Mounting holes in PCB



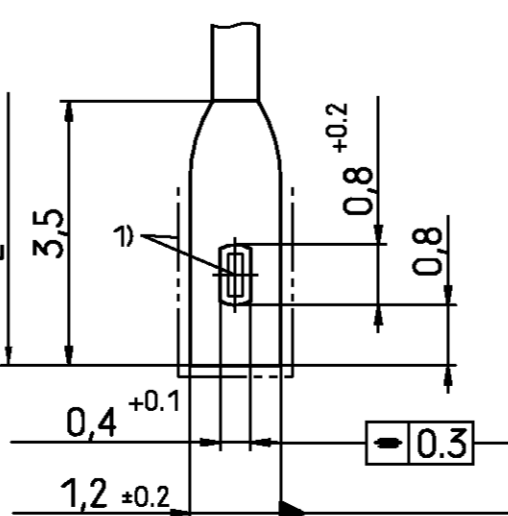
Termination Style

Soldering/Wire-Wrap pins



1) Cutting edges not plated
Terminations Sn plated

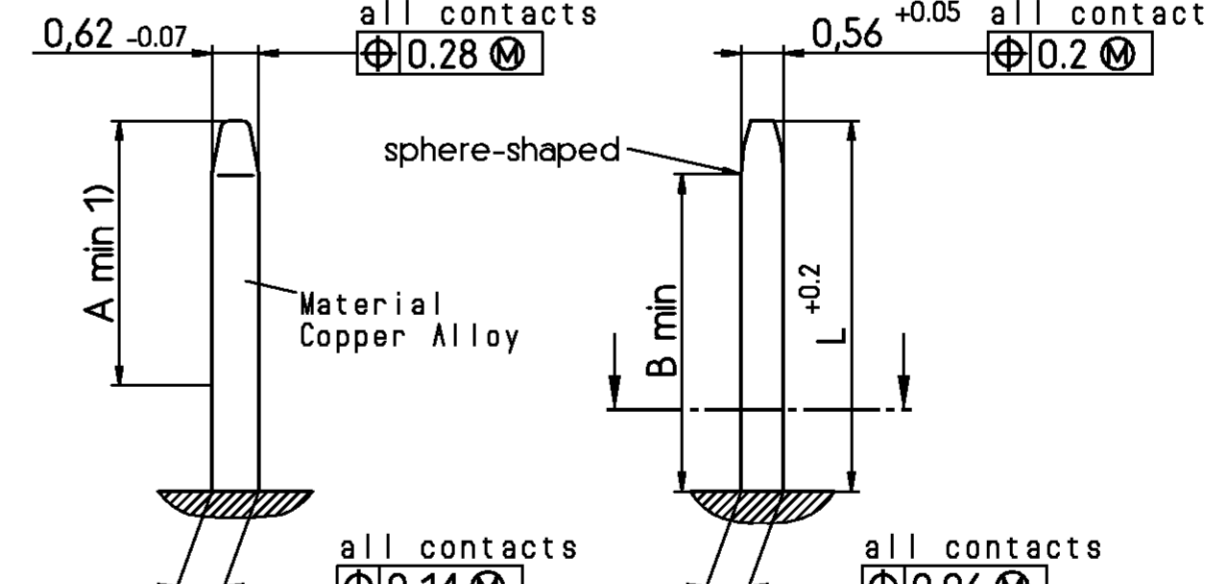
Soldering lug



L	Code
3 -0.4	00
2.9±0.3	01
4.5±0.3	02
13 +0.5	40
11 +0.5	41
17 +0.5	42
5.5±0.3	35
10 -0.5	

V42254-B1***-M***

Contact: Dimensions, plating, material, pre-mating

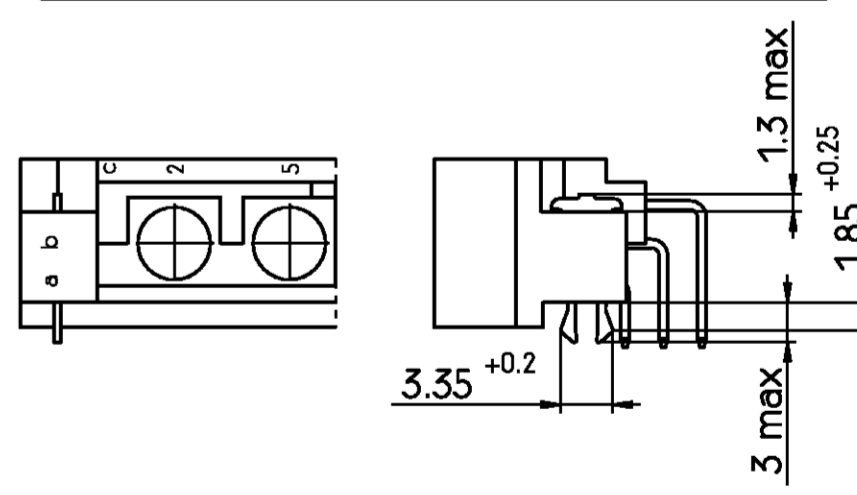


	L	A	B
normal contacts	4.8	3.5	4.2
pre-mating contacts	5.8	4.5	5.2

Performance level	Noble metals	Code
Class I	Pd + Au or Au	1
	Au	4
Class II	Pd + Au or Au	2
	Au	5
Class III	Pd + Au or Au	3

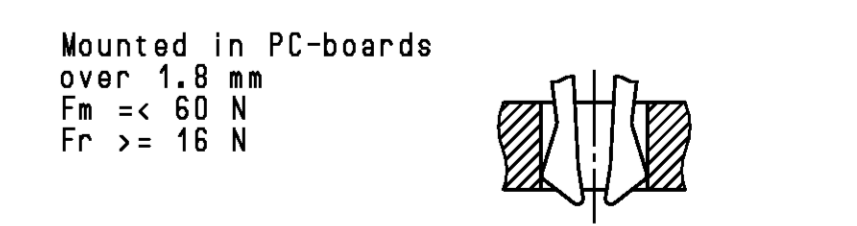
Nickel underlayer:
Protection Film: HF-grease

Male connector with board locks



Mounted in PC-boards
of 1.5 to 1.8 mm
F_m < 60 N
F_r >= 20 N
F_r >= 200 N, wenn
soldered-in

F_m = Mounting force
(for 1 connector = 2 Clips)
F_r = Retention force
(for 1 connector = 2 Clips)



V 4 2 2 5 4 - B 1 * * * - M * * *
Code for performance level
Code for termination style
Style, nr of contacts and contact assignment : see page 2

THIS INFORMATION IS CONFIDENTIAL AND PROPRIETARY TO TYCO ELECTRONICS CORPORATION AND ITS WORLDWIDE SUBSIDIARIES AND AFFILIATES. IT MAY NOT BE DISCLOSED TO ANYONE, OTHER THAN TYCO ELECTRONICS CORPORATION, WITHOUT WRITTEN AUTHORIZATION FROM TYCO ELECTRONICS CORPORATION, HARRISBURG, PENNSYLVANIA USA.

TE Connectivity

REV	CHANGE ORDER	DATE	APP.	CUSTOMER DRAWING NO.
C4	ECR-10-004503	13SEP11	MKO	DATE 21.04.89
C3	ECR-10-003044	03JUN10	MKO	NAME Vanbesien
C2	SR10-0177-03	04 AUG 03	KV	DEP. PD.COM
C1	SR10-0413-02	16 Sep 02	BC	
C	SR10-0163-02	18 Mar 02	BC	
B	SR10-0198-01	21.05.01	BC	
A	WO 00/7012	20.07.00	VVS	
03	WO 97/223	09.04.97	CUV	

SCALE: DIMENSIONS IN MM

PART NAME: **Pin Assembly Eurocard, Type M**

4 Special Contacts and short versions

PART NO.: V42254-B1***-M6***-7626

Customer Drawing No.: C 2-1393644-Z

SHEET 1 OF 1

REV. 1




THIS INFORMATION IS CONFIDENTIAL AND PROPRIETARY TO TYCO ELECTRONICS CORPORATION AND ITS WORLDWIDE
 SUBSIDIARIES AND AFFILIATES. IT MAY NOT BE DISCLOSED TO ANYONE, OTHER THAN TYCO ELECTRONICS PERSONNEL,
 WITHOUT WRITTEN AUTHORIZATION FROM TYCO ELECTRONICS CORPORATION, HARRISBURG PENNSYLVANIA USA

PROPRIETARY:

Product description code	TE Part Number	Style & Number of Positions	Termination posts	Loaded Rows	Standard Pre-Mating 1 mm 1)	Performance Level	Board Locks	
V42254-B1100-M120	2-1393644-2	M12 + 4	right-angle solder leads	every row , every pitch	No	1	No	
V42254-B1100-M600	2-1393644-7	M60 + 4	right-angle solder leads	every row , every pitch	No	1	No	SUPERSEDED BY 1-1393645-0
V42254-B1102-M600	3-1393644-9	M60 + 4	4,5mm straight solder leads	every row , every pitch	No	1	No	OBSOLETE
V42254-B1135-M120	4-1393644-1	M12 + 4	solder lugs	every row , every pitch	No	1	No	
V42254-B1135-M600	4-1393644-3	M60 + 4	solder lugs	every row , every pitch	No	1	No	
V42254-B1200-M120	1393645-2	M12 + 4	right-angle solder leads	every row , every pitch	No	2	No	
V42254-B1200-M600	1-1393645-0	M60 + 4	right-angle solder leads	every row , every pitch	No	2	No	
V42254-B1200-M603	1-1393645-1	M60 + 4	right-angle solder leads	row a+c , every pitch	No	2	No	
V42254-B1200-M603B	1-1393645-2	M60 + 4	right-angle solder leads	row a+c , every pitch	No	2	No	2)
V42254-B1200-M613	1-1393645-3	M60 + 4	right-angle solder leads	row a+c , every pitch	No	2	Yes	SUPERSEDED BY 1-1393645-1
V42254-B1202-M120	4-1393645-0	M12 + 4	4,5mm straight solder leads	every row , every pitch	No	2	No	OBSOLETE
V42254-B1235-M120	4-1393645-9	M12 + 4	solder lugs	every row , every pitch	No	2	No	
V42254-B1235-M600	5-1393645-0	M60 + 4	solder lugs	every row , every pitch	No	2	No	
V42254-B1240-M600	6-1393645-1	M60 + 4	13mm straight wire-wrap pins	every row , every pitch	No	2	No	

2) According to BT 236 level 2.
 1) First and last contact of each loaded row is
 a pre mating (make first / break last) contact.

Active part numbers.
 Contact TE for other configuration availability

				SCALE	WEIGHT
				MATERIAL	
DATE	21.04.89	PART NAME		PIN Assembly Eurocard, Type M	
NAME	Vanbesien	+ 4 Special Contacts and short versions			
DEP.	PD COM	PART NO.		V42254-B1***-M6***-*-7626	
TOLERANCE UNLESS SPECIFIED OTHERWISE		SHT.		2-	
C4	SEE SHEET 1	Customer Drawing Nr. C 2-1393644-2		OF 2	
REV.	CHANGE ORDER	DATE	APP.		