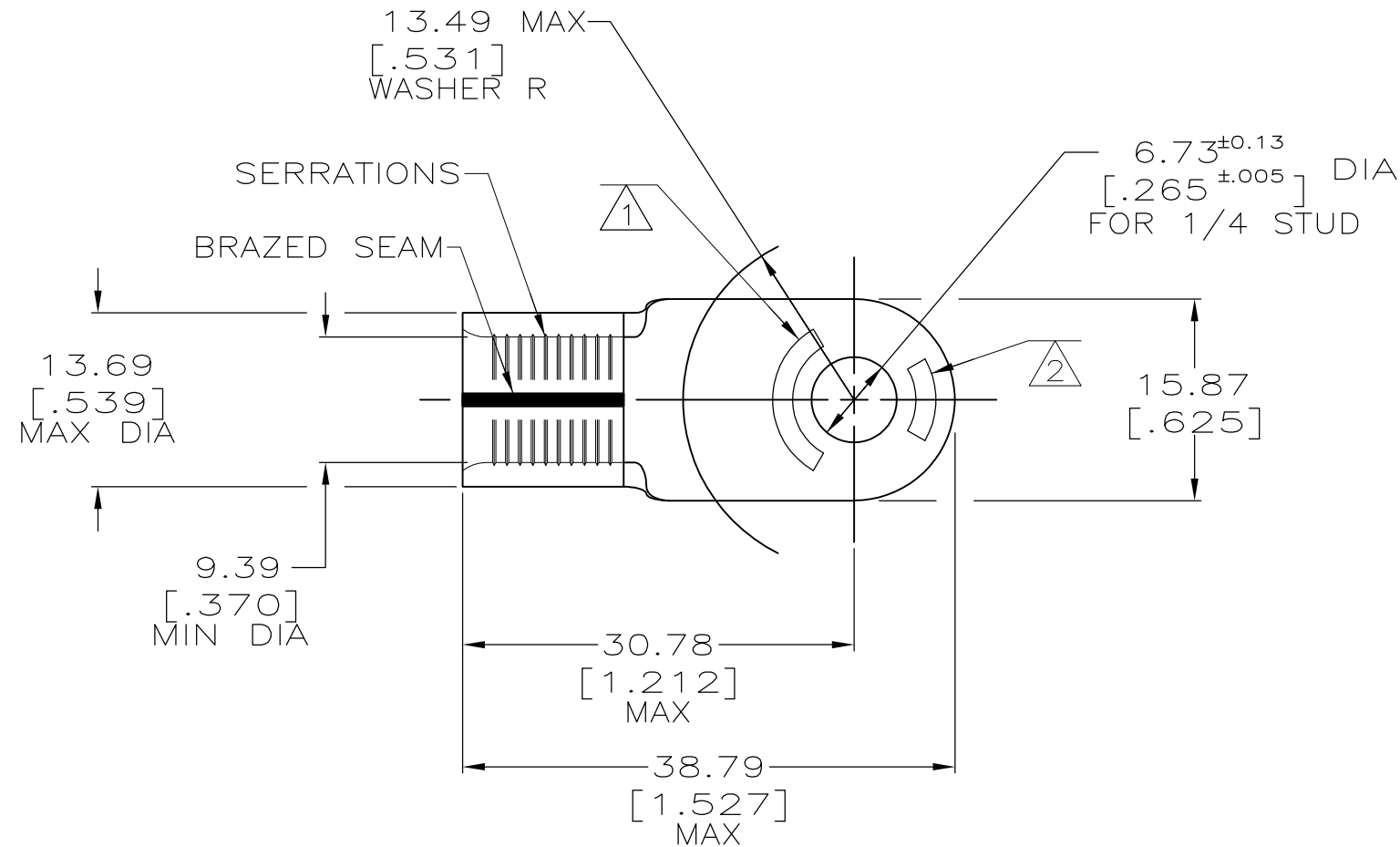


THIS DRAWING IS UNPUBLISHED. RELEASED FOR PUBLICATION
 © COPYRIGHT - By - ALL RIGHTS RESERVED.

LOC	DIST	REVISIONS					
G	14	P	LTR	DESCRIPTION	DATE	DWN	APVD
		J1		REVISED PER ECO-11-004820	11MAR11	RK	HMR

PART NUMBER	PACKAGE TYPE	QTY
8-320383-3	LOOSE PIECE, BOX	25



AMP WIRE RANGE	E13288 Listed
2 AWG SOLID OR STRANDED	2 AWG STRANDED
LR7189 Certified	MILITARY P/N AND CLASS
2 AWG SOLID OR STRANDED	MS 20659-113 CLASS 2

- ① STAMP AMP 2W* APPROX AS SHOWN
- ② STAMP 60-75 APPROX AS SHOWN
- ③ MATERIAL THK: 1.78 ±0.08 [.070 ±.003]
- ④ TIN PL 0.00254 [.000100] MIN THK PER MIL-T-10727
- ⑤ GOLD PL 0.00127 [.000050] MIN THK PER MIL-G-45204 OVER NICKEL PL 0.00076 [.000030] MIN THK PER QQ-N-290

260° C MAX	⑤	2-320383-1
170° C MAX	④	320383
TEMPERATURE RATING	FINISH	PART NO

AMP INCORPORATED CUSTOMER SERVICE SYSTEMS		MAX RECOMMENDED OPERATING TEMPERATURE: SEE TABLE
FOR ADDITIONAL PRODUCT INFORMATION OR COPIES OF DRAWINGS AND TECHNICAL DOCUMENTS	PRODUCT INFORMATION CENTER 1-800-522-6752	VOLTAGE RATING: NOT APPLICABLE
FOR APPLICATION TOOLING INFORMATION	TOOLING ASSISTANCE CENTER 1-800-722-1111	WIRE CROSS SECTIONAL AREA RANGE: 26.7-42.4mm² [52,600-83,700] CIR MILS SOLID OR STRANDED
FOR ORDER ENTRY	1-800-526-5142	

THIS DRAWING IS A CONTROLLED DOCUMENT.		DWN 5/24/93 DK SCHRUM		TE Connectivity	
DIMENSIONS: mm [INCHES]		CHK 1/27/94 RD HEIM			
		TOLERANCES UNLESS OTHERWISE SPECIFIED:		NAME TERMINAL, RING TONGUE, SOLISTRAND™	
		0 PLC ± - 1 PLC ± - 2 PLC ± 0.20 [.008] 3 PLC ± - 4 PLC ± - ANGLES ± -		APVD 1/27/94 RE ROSER	
MATERIAL COPPER PER ASTM B-152 ANNEALED		FINISH SEE TABLE		PRODUCT SPEC -	
		WEIGHT -		APPLICATION SPEC -	
CUSTOMER DRAWING				SIZE A3	CAGE CODE 00779
				DRAWING NO C-320383	RESTRICTED TO -
				SCALE 2:1	SHEET 1 OF 1
				REV J1	