

4

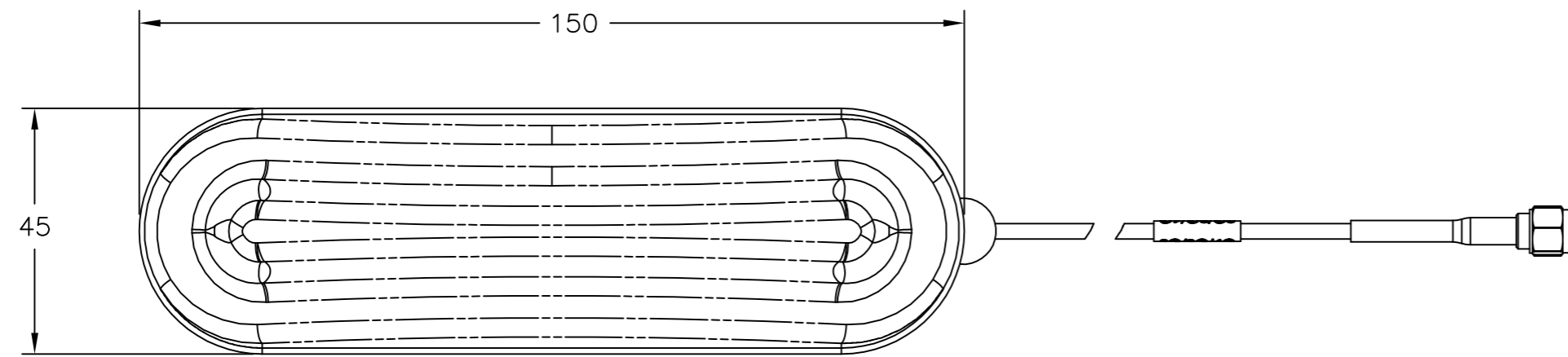
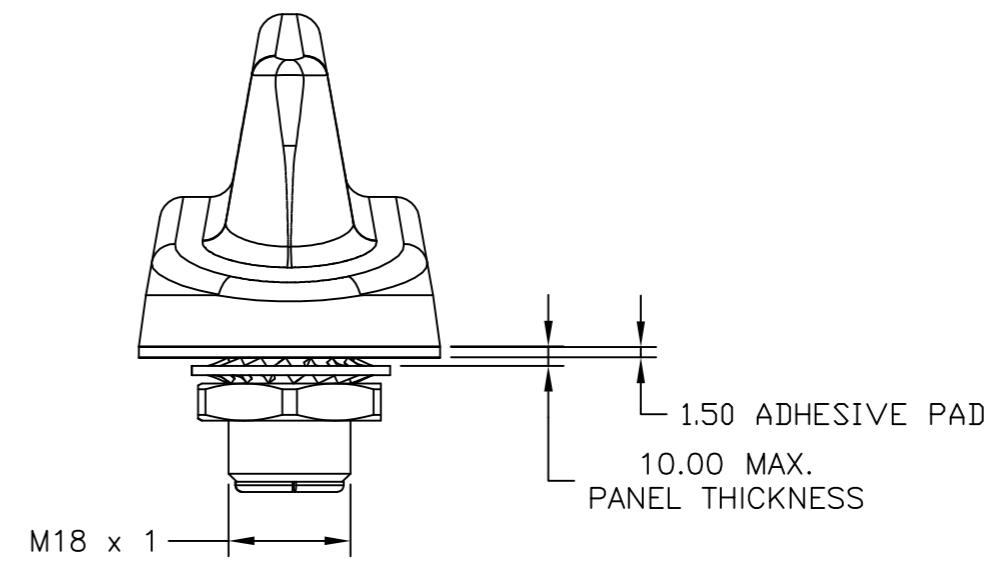
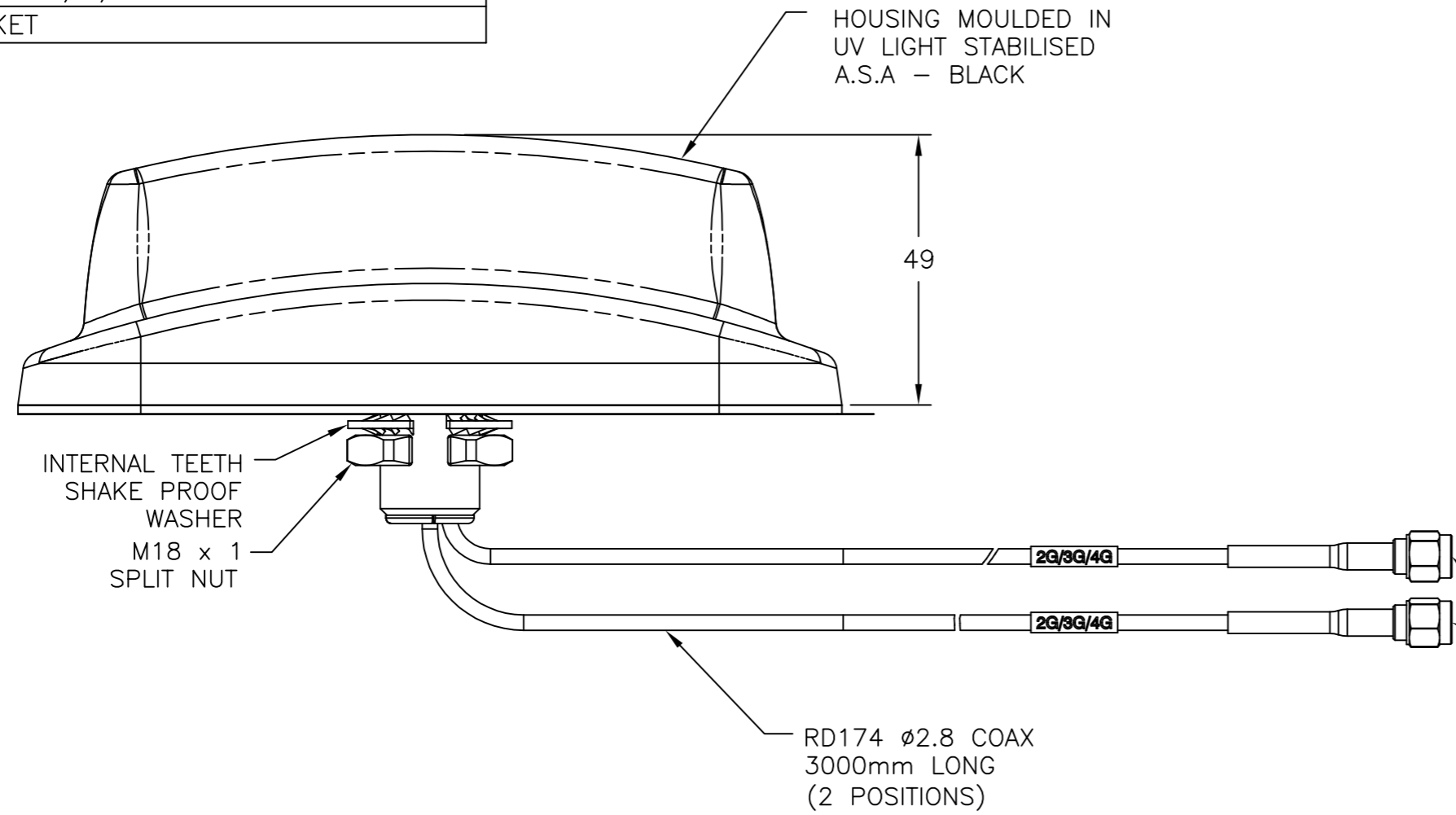
3

2

1

THIS DRAWING IS UNPUBLISHED.		RELEASED FOR PUBLICATION	
© COPYRIGHT - By -		ALL RIGHTS RESERVED.	
PROJECT	PRJ-16-000905033		
PART NO.	1-2309605-1		
HV DESC	LOW PROF MIMO 2/3/4G 3m CABLES SMAP		
CUSTOMER	GENERAL MARKET		

REVISIONS					
P	LTR	DESCRIPTION	DATE	DWN	APVD
	A	NEW RELEASE	26AUG2016	KK	GG

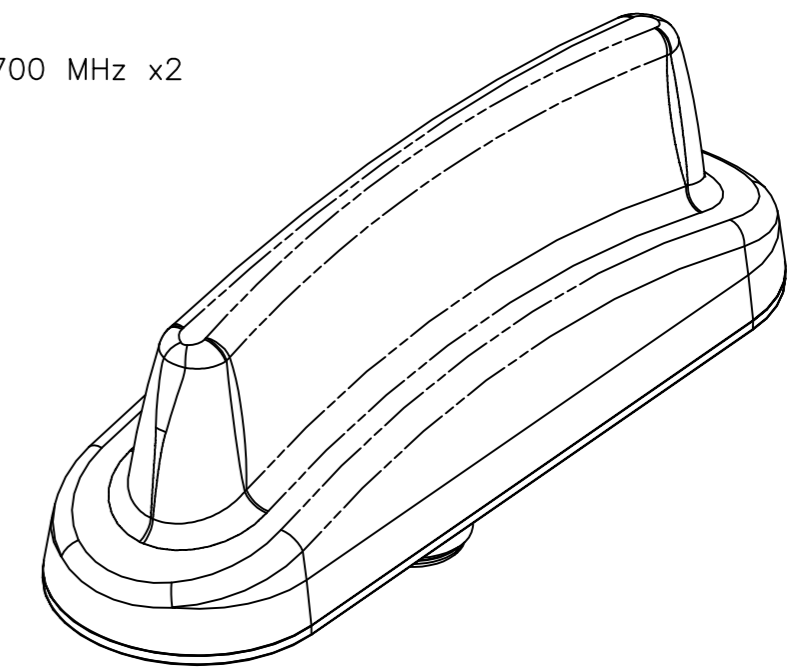
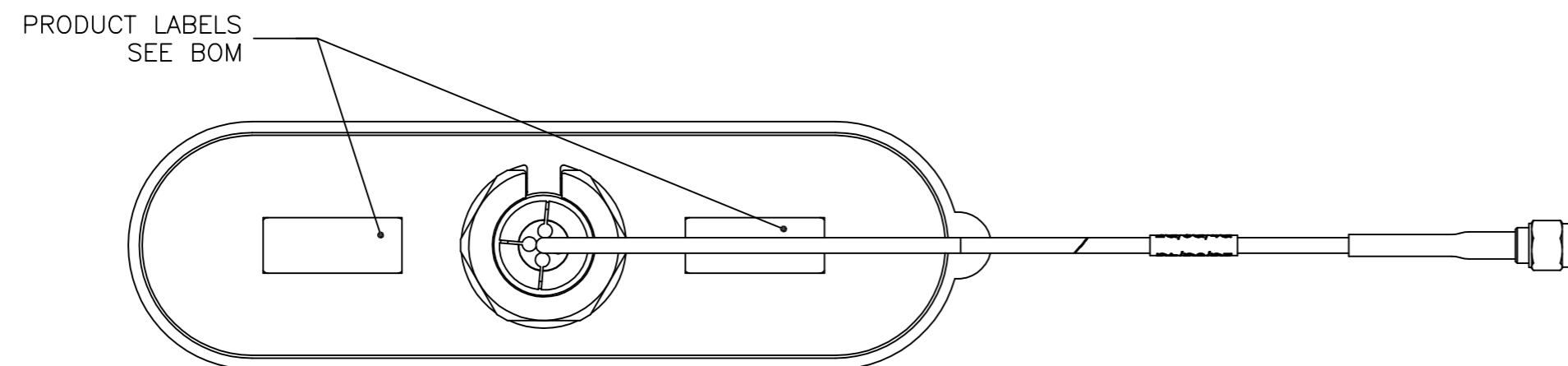


NOTES:

- ALL MATERIALS SUPPLIED MUST BE RoHS2 (DIRECTIVE 2011/65/EU) COMPLIANT AND MUST NOT CONTAIN ANY SUBSTANCES OF VERY HIGH CONCERN (SVHCs) LISTED UNDER REACH OR POLY-AROMATIC HYDROCARBONS (PAHs), OR PERSISTENT ORGANIC POLLUTANTS (POPs) CONTROLLED BY THE STOCKHOLM CONVENTION.
- WEIGHT 297.18g.

OPERATING FREQUENCIES:

698 - 960 / 1710 - 2700 MHz x2



ISO VIEW

THIS DRAWING IS A CONTROLLED DOCUMENT.

DIMENSIONS:	TOLERANCES UNLESS OTHERWISE SPECIFIED:
mm	
	0 PLC ± 0.5
	1 PLC ± 0.1
	2 PLC ± 0.2
	3 PLC ± -
	4 PLC ± -
	ANGLES ± 1°
MATERIAL	FINISH
-	-

1-2309605-1	LOW PROF MIMO 2/3/4G 3m CABLES SMAP	BLACK COLOR
TE PN'S	DESCRIPTION	REMARKS
DWN KIRAN K 26AUG2016	 TE Connectivity	LOW PROF MIMO 2/3/4G 3m CABLES SMAP
CHK GUNASEKHAR G 26AUG2016		
APVD GUNASEKHAR G 26AUG2016		
PRODUCT SPEC		
APPLICATION SPEC	NAME	RESTRICTED TO
WEIGHT	SIZE A2	CAGE CODE 00779
CUSTOMER DRAWING	DRAWING NO. C=2309605	SCALE NTS
	SHEET 1 of 1	REV A

2309605