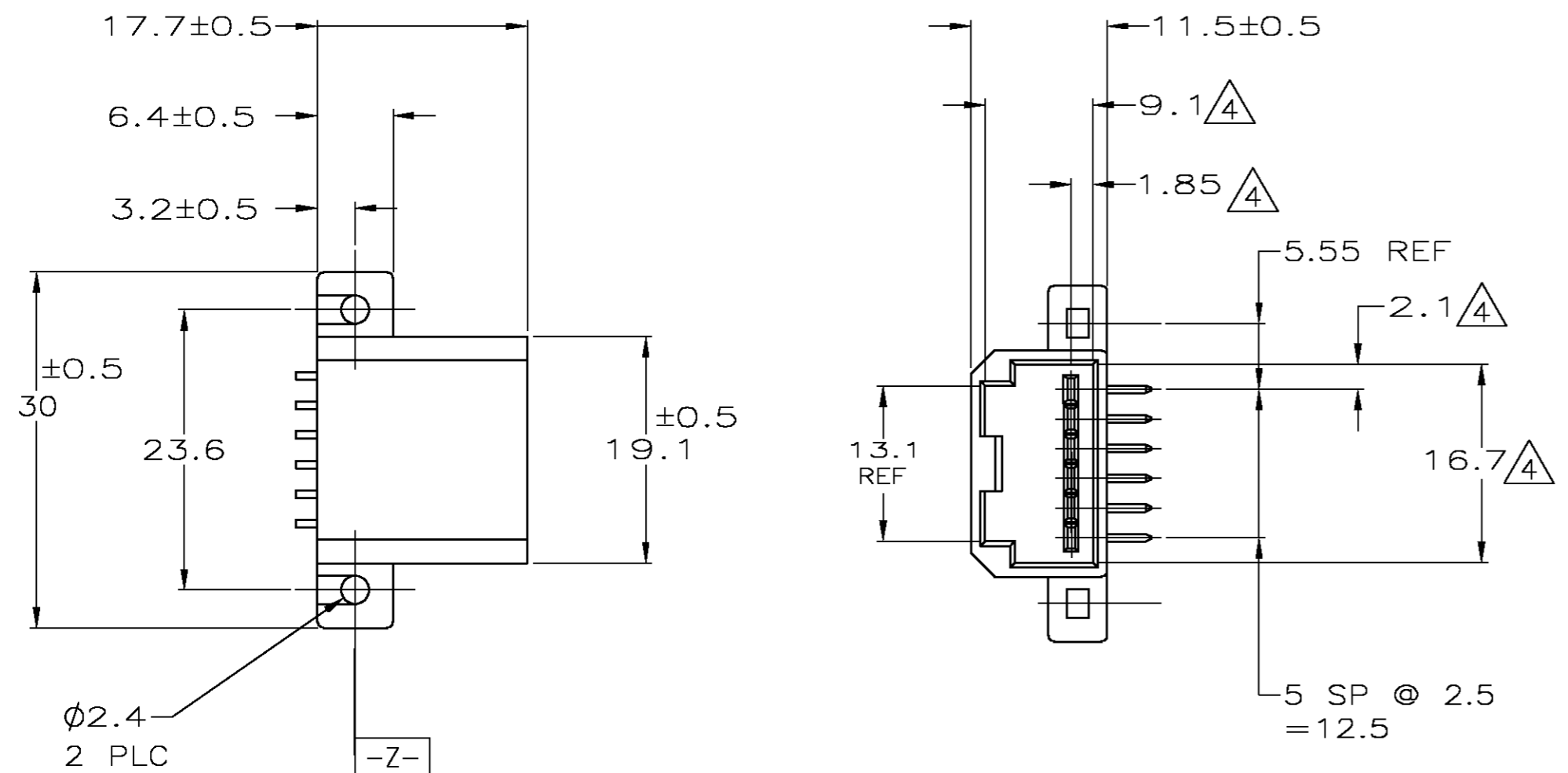
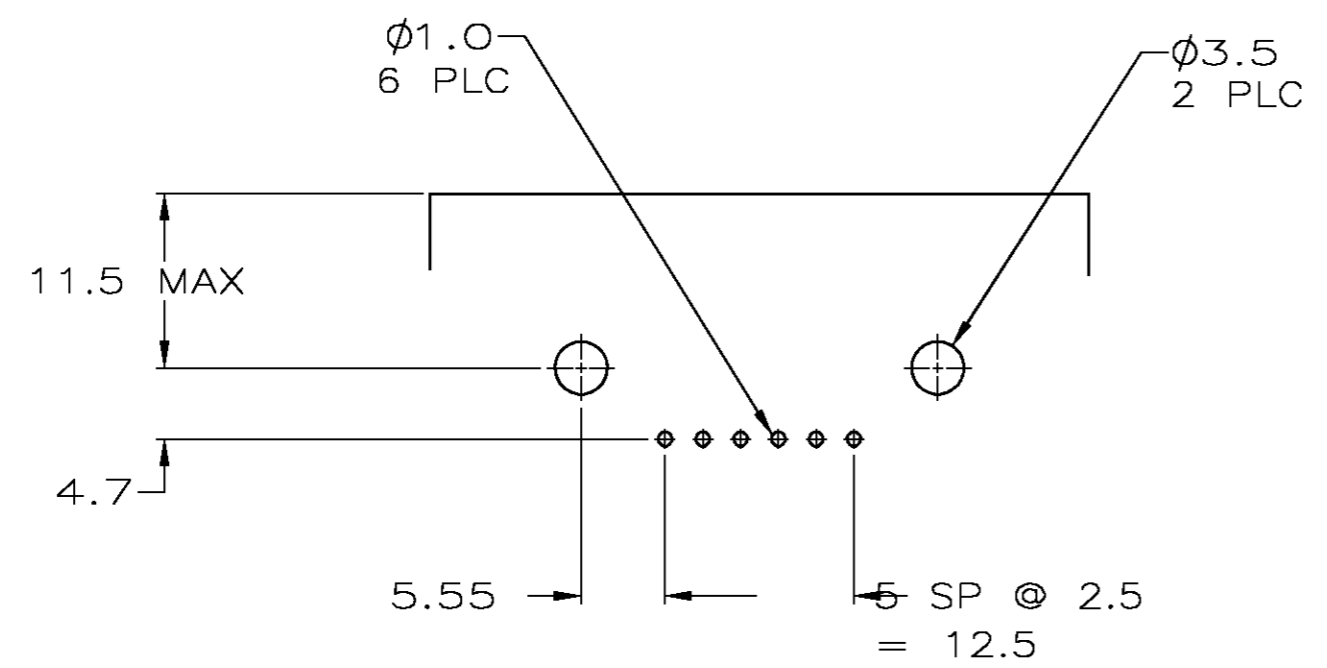
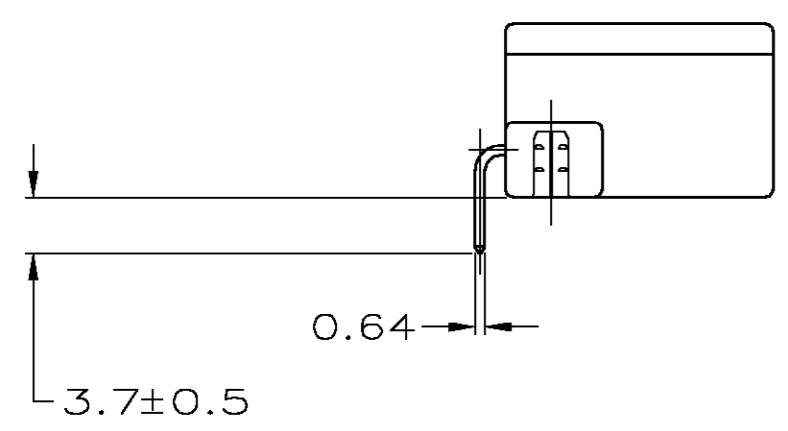


THIS DRAWING IS UNPUBLISHED. RELEASED FOR PUBLICATION
 © COPYRIGHT BY TYCO ELECTRONICS CORPORATION. ALL RIGHTS RESERVED.

| LOC | DIST | REVISIONS | | | | | |
|-----|------|-----------|-----|---------------------------|---------|-----|------|
| FX | 55 | P | LTR | DESCRIPTION | DATE | DWN | APVD |
| | | B1 | | REDRAWN - EC OK80-0139-03 | 07MAY03 | JRB | SSA |



1. APPLICABLE P.C. BOARD THICKNESS: 1.6mm
 2. MATING PLUG HOUSING PART NO. 638100
 3. APPLICABLE PRODUCT SPEC. NO. 108-5281
- △ TO BE MEASURED WITHIN 2mm FROM $-Z-$



PRINTED CIRCUIT BOARD LAYOUT

| | | | | |
|--|-------------|-------------------------------|--|----------|
| BRASS | POST PLATED | PBT | NATURAL | 638102-1 |
| MATERIAL | FINISH | MATERIAL | COLOR | PART NO |
| PIN | | HOUSING | | |
| THIS DRAWING IS A CONTROLLED DOCUMENT. | | DWN P. COLLINS 8-4-97 | Tyco Electronics Corporation Harrisburg, PA 17105-3608 | |
| DIMENSIONS: MM | | CHK D. STILLIE 8-4-97 | APVD S. KROEGER 8-4-97 | |
| TOLERANCES UNLESS OTHERWISE SPECIFIED: | | NAME | | |
| 0 PLC ± - | | PRODUCT SPEC | | |
| 1 PLC ± 0.2 | | APPLICATION SPEC | | |
| 2 PLC ± 0.25 | | SIZE | | |
| 3 PLC ± - | | CAGE CODE | | |
| 4 PLC ± - | | DRAWING NO | | |
| ANGLES ± - | | RESTRICTED TO | | |
| FINISH | | WEIGHT | | |
| SEE TABLE | | A2 00779 C=638102 | | |
| MATERIAL | | CUSTOMER DRAWING | | |
| SEE TABLE | | SCALE 2:1 SHEET 1 OF 1 REV B1 | | |