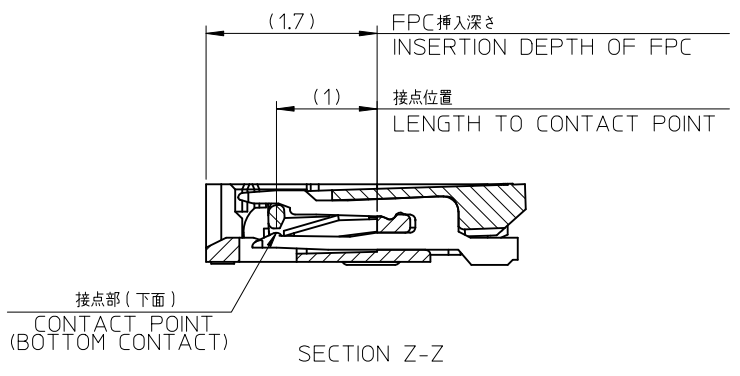


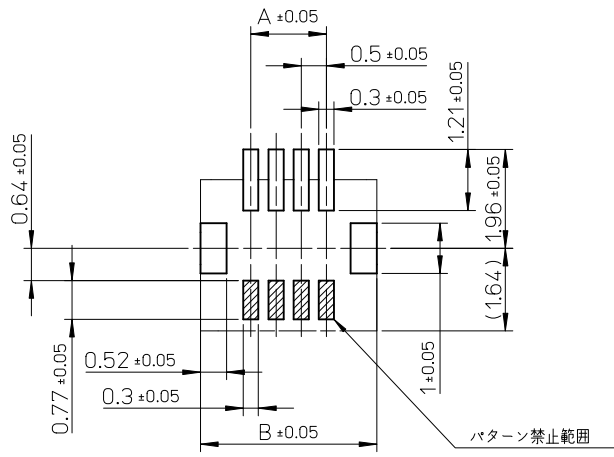
注記
NOTES:

- 1.材質
MATERIAL
ハウジング:耐熱性樹脂、ガラス充填、UL94HB、難燃剤使用
HOUSING:HEAT RESISTANCE POLYMER, GLASS FILLED, UL94HB
FLAME RETARDANTS FREE
アクチュエータ:耐熱性樹脂、ガラス充填、UL94HB、難燃剤使用
ACTUATOR:HEAT RESISTANCE POLYMER, GLASS FILLED, UL94HB
FLAME RETARDANTS FREE
ターミナル:銅合金 (t=0.15)
TERMINAL: COPPER ALLOY (t=0.15)
補強金具:銅合金 (t=0.15)
NAIL: COPPER ALLOY (t=0.15)
- 2.めっき仕様
PLATING
ターミナル: 部分金メッキ
接点部 0.1マイクロメートル以上
半田付け部 0.05マイクロメートル以上
TERMINAL: SEPARATED GOLD PLATING
CONTACT AREA 0.1 MICROMETER MINIMUM.
SOLDER TAIL AREA 0.05 MICROMETER MINIMUM.
下地 ニッケルメッキ 1.0マイクロメートル以上
UNDER PLATING; NICKEL PLATING 1.0 MICROMETER MINIMUM.
補強金具: 錫メッキ 1.0マイクロメートル以上
NAIL: TIN PLATING 1.0 MICROMETER MINIMUM.
下地 ニッケルメッキ 1.0マイクロメートル以上
UNDER PLATING; NICKEL PLATING 1.0 MICROMETER MINIMUM.
- 3.平坦度は、0.1mm以下とする。
TAILS AND NAILS COPLANARITY TO BE 0.1mm MAXIMUM.
- 4.ELV AND RoHS COMPLIANT.

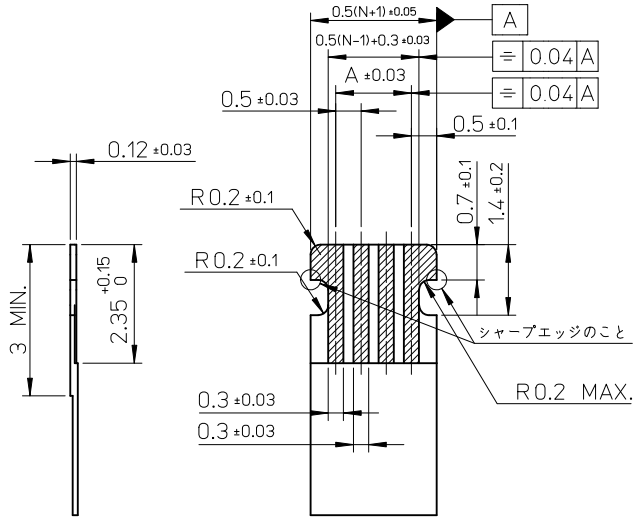


4.5	4.97	4.18	5.5	3.5	501461-0812	501461-0818	8
E	D	C	B	A	エンボス梱包品 EMBOSSED PACKAGING	製品番号 MATERIAL NO.	極数(N) CIRCUITS(N)

RELEASED EC NO: J2011-0733 DRWN: AISHI 2010/11/29 CHKD: TAKAHASHI 2010/11/29 APPR: KMORIKAWA 2010/12/01	GENERAL TOLERANCES (UNLESS SPECIFIED)		DIMENSION STYLE MM ONLY		SCALE 10:1	DESIGN UNITS METRIC	THIRD ANGLE PROJECTION
	10 UNDER	±0.2	DRAWN BY AISHI		TITLE 0.5 FPC CONN BACK FLIP HGT=0.8 HSG ASSY		
	10 OVER 30 UNDER	±0.25	CHECKED BY TAKAHASHI		MOLEX INCORPORATED		
	30 OVER	±0.3	APPROVED BY KMORIKAWA		DOCUMENT NO. SD-501461-007		
A	REV	ANGULAR ±1°	DRAFT WHERE APPLICABLE MUST REMAIN WITHIN DIMENSIONS		SEE TABLE		SHEET NO. 1 OF 2
					THIS DRAWING CONTAINS INFORMATION THAT IS PROPRIETARY TO MOLEX INCORPORATED AND SHOULD NOT BE USED WITHOUT WRITTEN PERMISSION		



推奨基板寸法
RECOMMENDED P.C.BOARD PATTERN LAYOUT

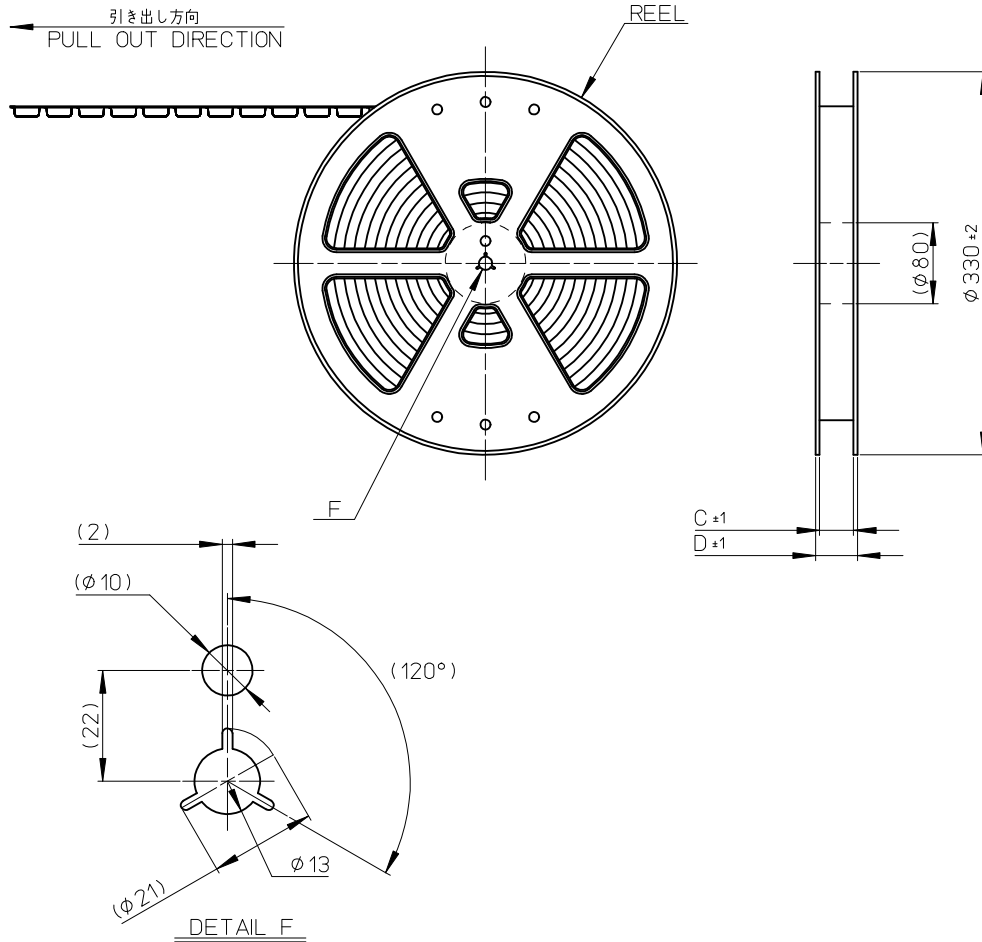


推奨FPC寸法
RECOMMENDED FPC PATTERN LAYOUT

FPCについて：
 抜き方向は、導体側から補強板側を推奨します。
 補強フィルム材質は、ポリイミドを推奨します。
 接着剤は、熱硬化接着剤を推奨します。
 尚、接着剤の接点部への付着は、導通不良の原因となりますので染み出しが無いよう、お願いします。

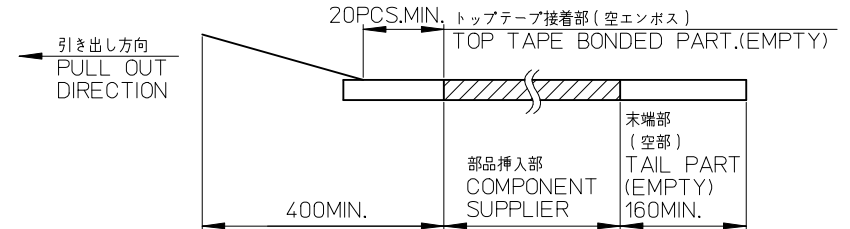
ABOUT FPC:
 RECOMMENDED PUNCHER DIRECTION:
 FROM CONDUCTOR SIDE TO STIFFNER FILME SIDE.
 RECOMMENDED MATERIAL:
 STIFFNER FILME: POLYIMIDE
 BONDING AGENT: THRMOSSETTING AGENT
 PLEASE PUT APPROPRIATE AMOUNT OF ASHESIVE MAY CAUSE
 THE DEFECT IN ELECTRICAL CONTINUITY.

RELEASED EC NO: J2011-0733 DRW: AISHII 2010/11/29 CHK: KTAKAHASHI 2010/11/29 APPR: KMORIKAWA 2010/12/01	GENERAL TOLERANCES (UNLESS SPECIFIED)		DIMENSION STYLE	SCALE	DESIGN UNITS	THIRD ANGLE PROJECTION
			MM ONLY	10:1	METRIC	
	10 UNDER	±0.2	DRAWN BY	DATE	TITLE	
	10 OVER 30 UNDER	±0.25	AISHII	2010/11/29	0.5 FPC CONN BACK FLIP HGT=0.8 HSG ASSY	
	30 OVER	±0.3	CHECKED BY	DATE		
ANGULAR	±1 °	KTAKAHASHI	2010/11/29	APPROVED BY		
DRAFT WHERE APPLICABLE MUST REMAIN WITHIN DIMENSIONS		KMORIKAWA	2010/12/01	DATE		
		MATERIAL NO.		MOLEX INCORPORATED		
		SEE SHEET 1		DOCUMENT NO.		SHEET NO.
		SIZE A3		SD-501461-007		2 OF 2
THIS DRAWING CONTAINS INFORMATION THAT IS PROPRIETARY TO MOLEX INCORPORATED AND SHOULD NOT BE USED WITHOUT WRITTEN PERMISSION						



NOTES

- 製品詳細寸法については製品単体図面を参照下さい。
RE DETAILED DIMENSION, SEE PRODUCT DRAWING.
- 梱包数量：3000個/リール
NUMBER OF CONNECTORS 3000PCS/REEL
- リードテープ長さ
LEAD TAPE LENGTH



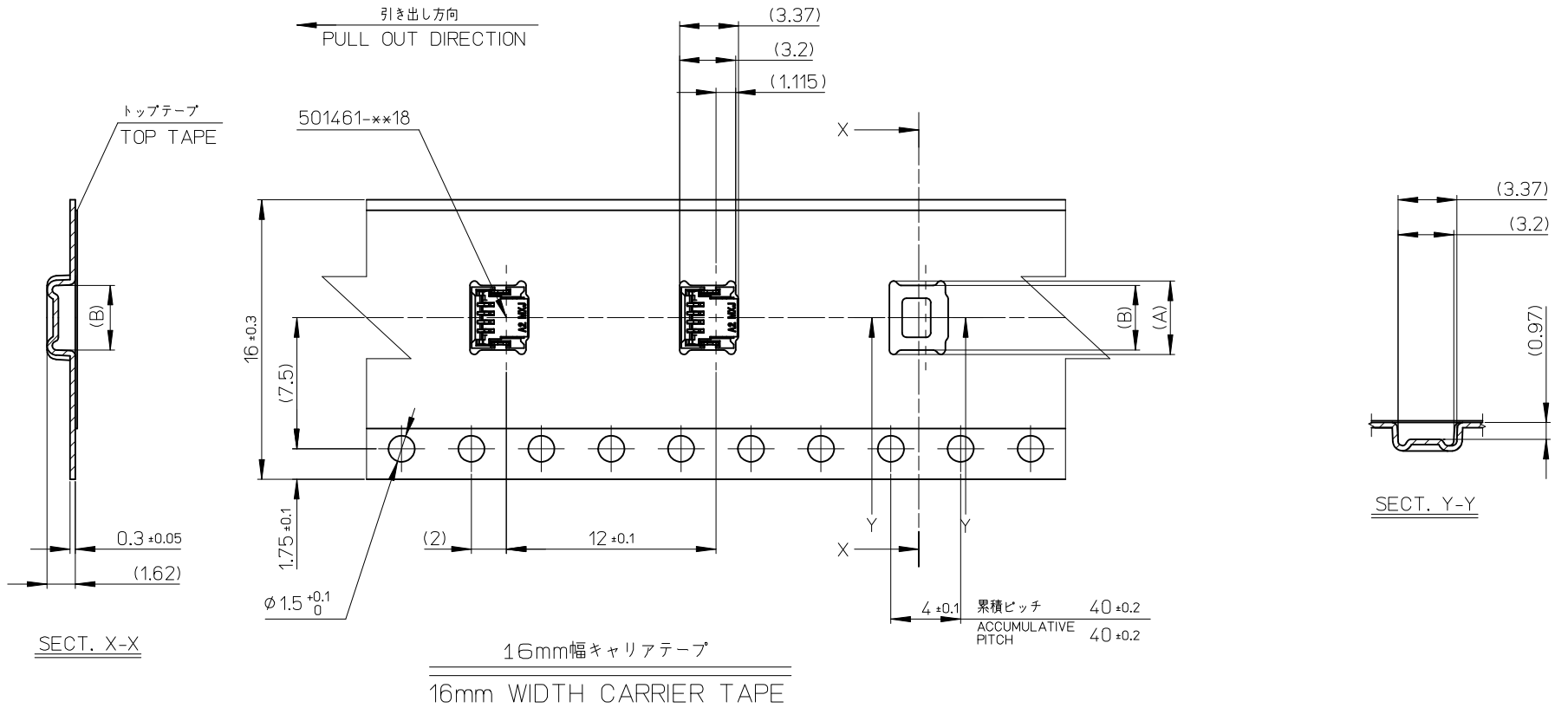
4. 材料

MATERIAL
 キャリアテープ(CARRIRE TAPE) : ポリスチレン (POLYSTYRENE)
 トップテープ(TOP TAPE) : PET, PE, PEF
 リール(REEL) : ポリスチレン (PS) <リサイクル材を含む>
 POLYSTYRENE(PS) <RECYCLE MATERIAL CONTAIED>

5. ELV 及び RoHS 適合品。
ELV AND RoHS COMPLIANT.

REVISED EC NO: J2013-1055 DRWN: SANUMA 2013/03/26 CHKD: TAKAHASHI 2013/03/26 APPR: KMORIKAWA 2013/04/03	DESCRIPTION REV	GENERAL TOLERANCES (UNLESS SPECIFIED)		DIMENSION STYLE MM ONLY		SCALE ---	501461-**12	MODEL NO.	
		10 UNDER ± 0.2		DRAWN BY DATE AISHII 2010/11/29		TITLE	0.5 FPC CONN BACK FLIP H=0.8 EMBSTP PKG		
		10 OVER 30 UNDER ± 0.25		CHECKED BY DATE KTAKAHASHI 2010/11/29					
		30 OVER ± 0.3		APPROVED BY DATE KMORIKAWA 2010/12/01					
ANGULAR ± 1 °		DRAFT WHERE APPLICABLE MUST REMAIN WITHIN DIMENSIONS		MATERIAL NO. SEE SHEET 2		DOCUMENT NO. SD-501461-008	SHEET NO. 1 OF 2		
				SIZE A3		THIS DRAWING CONTAINS INFORMATION THAT IS PROPRIETARY TO MOLEX INCORPORATED AND SHOULD NOT BE USED WITHOUT WRITTEN PERMISSION			

10 9 8 7 6 5 4 3 2 1



16	21.4	17.4	5.7	6.2	501461-0812	8
キャリアテープ幅 CARRIER TAPE WIDTH	D	C	(B)	(A)	MATERIAL NO.	極数 CIRCUITS

SEE SHEET 1 EC NO: J2013-1055 DRWN:NASANUMA 2013/03/26 CHKD:KTAKAHASHI 2013/03/26 APPR:KMORIKAWA 2013/04/03	GENERAL TOLERANCES (UNLESS SPECIFIED)		DIMENSION STYLE MM ONLY		SCALE ---	DESIGN UNITS METRIC	THIRD ANGLE PROJECTION
	10 UNDER	± 0.2	DRAWN BY AISHII	DATE 2010/11/29	TITLE 0.5 FPC CONN BACK FLIP H=0.8 EMBSTP PKG		
	10 OVER 30 UNDER	± 0.25	CHECKED BY KTAKAHASHI	DATE 2010/11/29	DOCUMENT NO. SD-501461-008		
	30 OVER	± 0.3	APPROVED BY KMORIKAWA	DATE 2010/12/01	SHEET NO. 2 OF 2		
ANGULAR ±1 ° DRAFT WHERE APPLICABLE MUST REMAIN WITHIN DIMENSIONS	SEE TABLE		THIS DRAWING CONTAINS INFORMATION THAT IS PROPRIETARY TO MOLEX INCORPORATED AND SHOULD NOT BE USED WITHOUT WRITTEN PERMISSION				

9 8 7 6 5 4 3 2