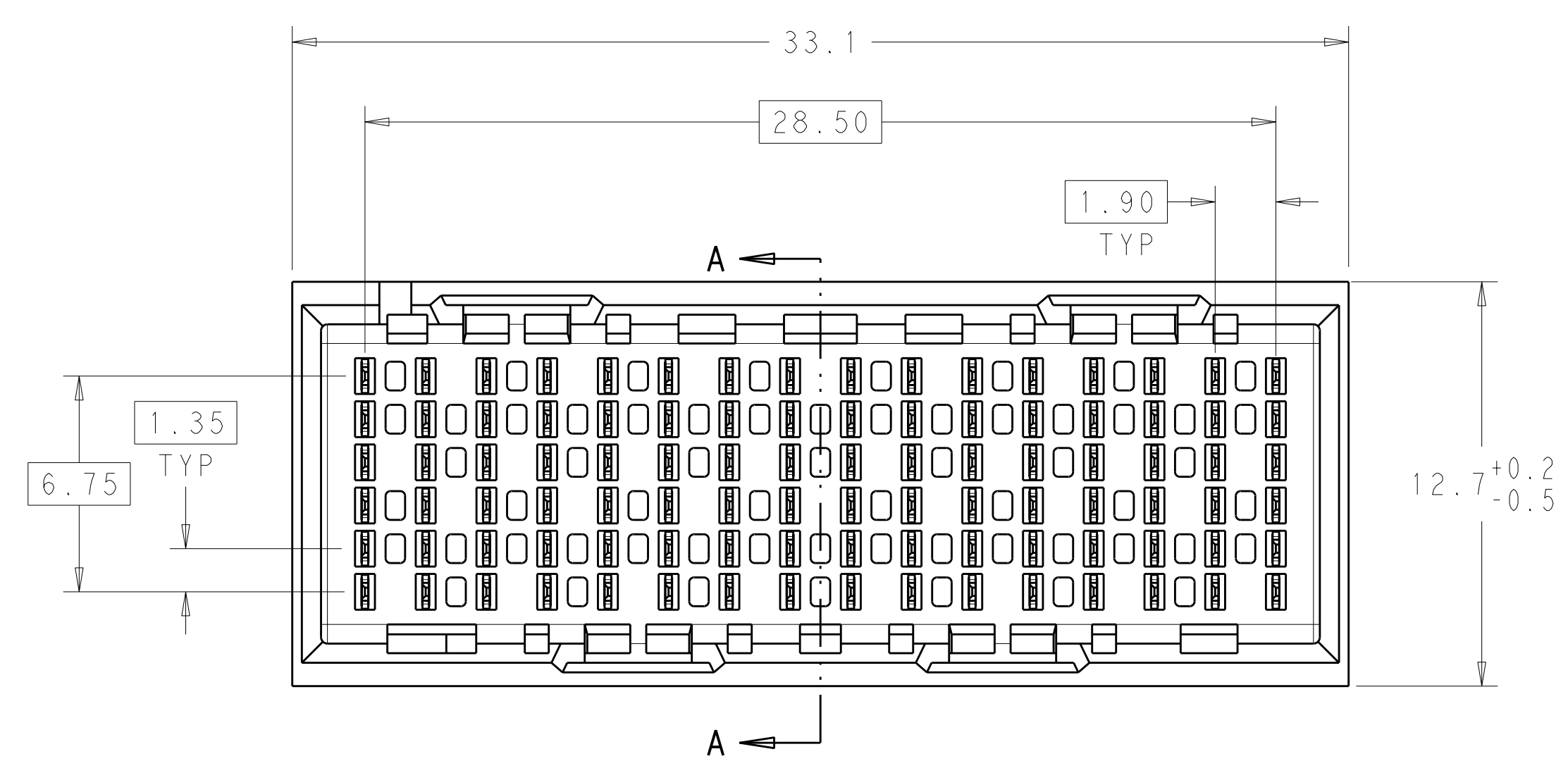
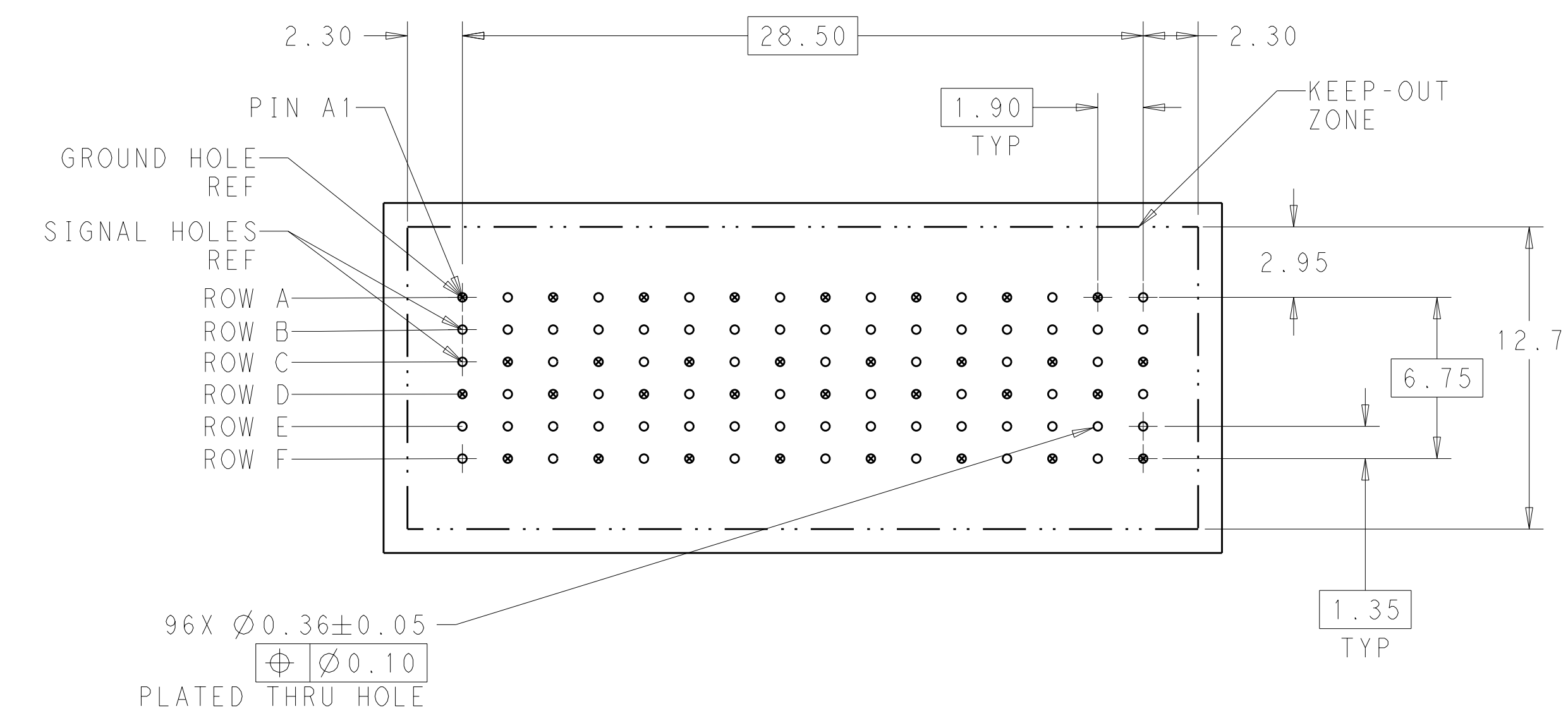
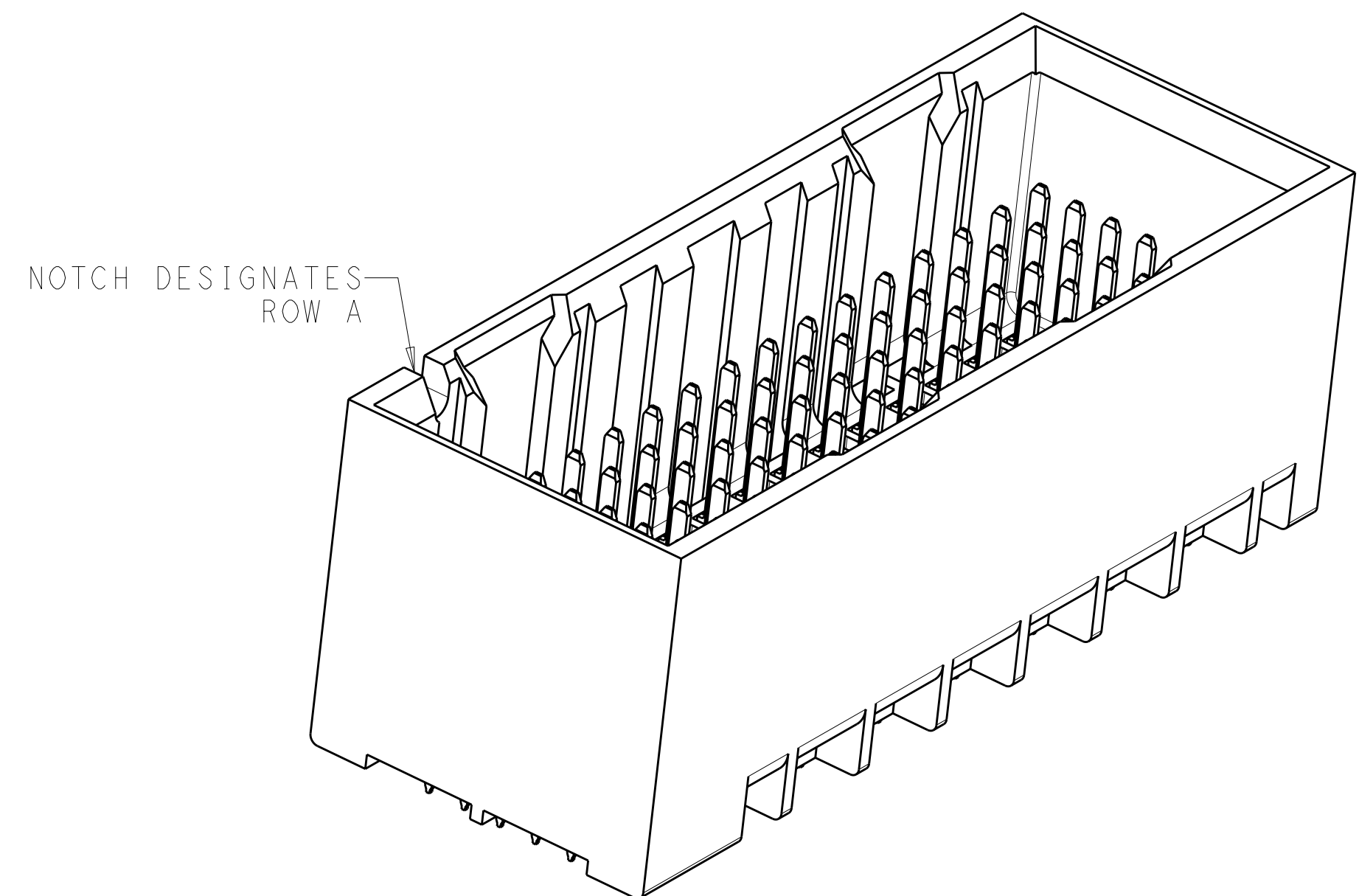


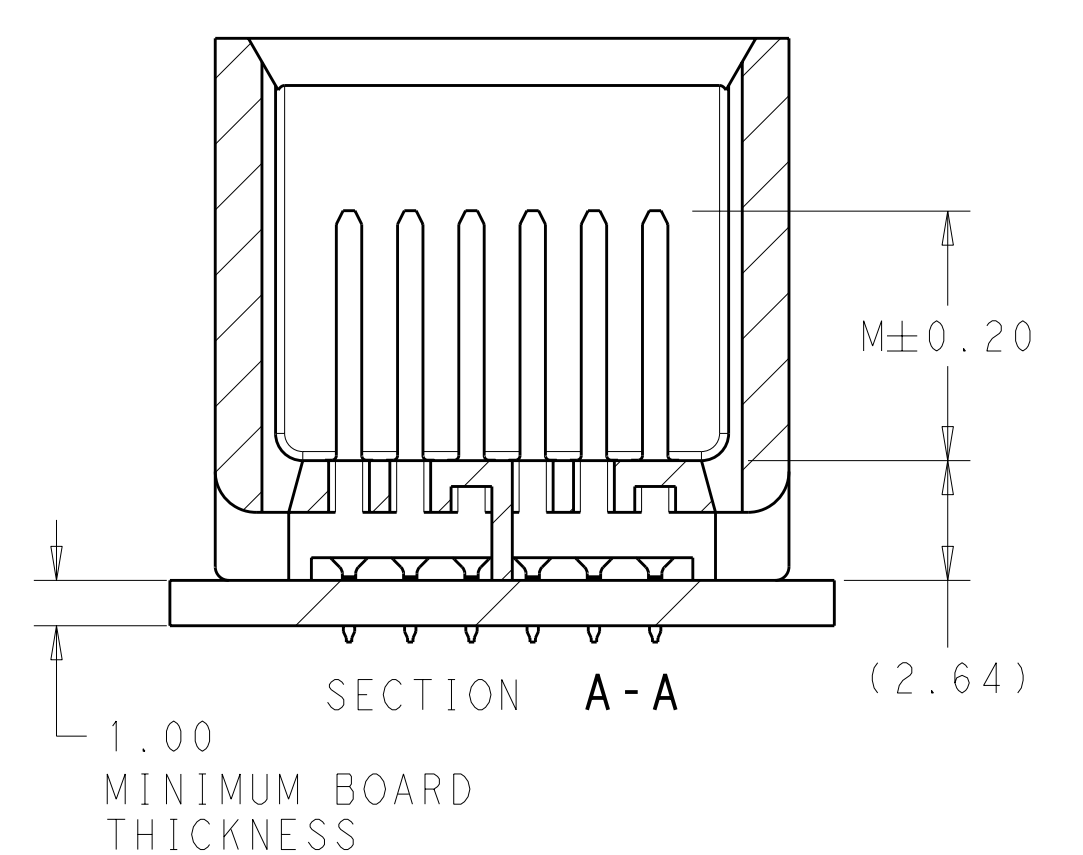
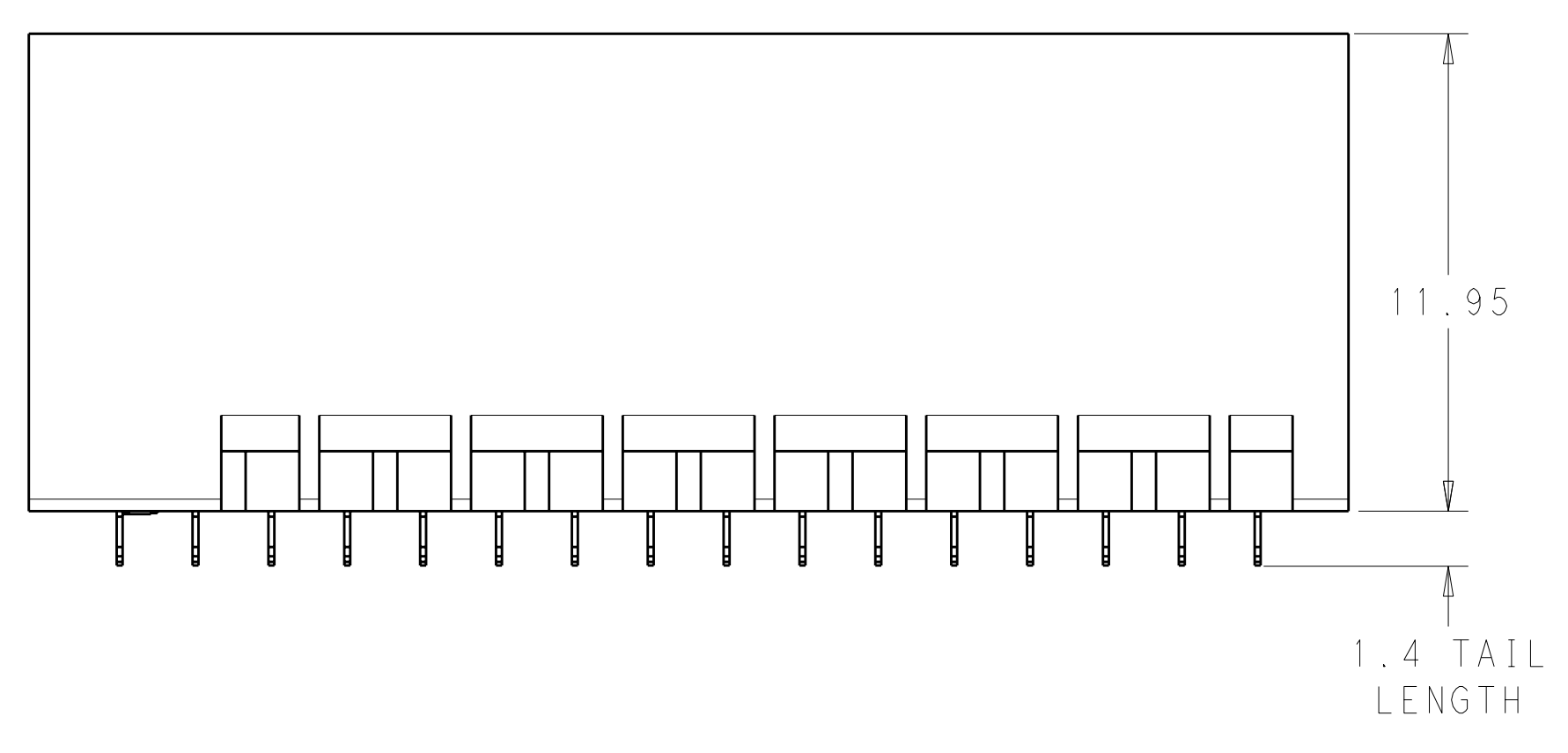
LOC		DIST		REVISIONS			
AD	00	P	LTB	DESCRIPTION	DATE	DWN	APVD
		A		DRAWING CREATED BY AUTOMATION PROGRAM	3NOV2011	JKS	JE



- 1 MATERIAL:
HOUSING: LCP, GLASS FILLED, UL94V-0.
TERMINALS: HIGH PERFORMANCE COPPER ALLOY.
- 2 FINISH:
30μ" MIN GOLD IN CONTACT AREA. SELECTIVE TIN
ON PCB TAILS, NICKEL OVERALL.
- 3 FINISH:
30μ" MIN GOLD IN CONTACT AREA. SELECTIVE TIN-LEAD
ON PCB TAILS, NICKEL OVERALL.



UNGUIDED
BACKPLANE HOLE PATTERN
(CONNECTOR SIDE)




THIS DRAWING IS A CONTROLLED DOCUMENT.		DWN J. K. SHOBER 3NOV2011	TE Connectivity														
DIMENSIONS: mm		CHK J. EBY 3NOV2011															
TOLERANCES UNLESS OTHERWISE SPECIFIED:		APVD J. EBY 3NOV2011	NAME IMPACT, 2 PAIR, 16 COLUMN, HEADER UNGUIDED, DUAL END WALL SIGNAL MODULE, 0.36 PTH														
<table border="1"> <tr><td>9 PLC</td><td>±</td></tr> <tr><td>1 PLC</td><td>±0.25</td></tr> <tr><td>3 PLC</td><td>±0.13</td></tr> <tr><td>5 PLC</td><td>±</td></tr> <tr><td>4 PLC</td><td>±</td></tr> <tr><td>ANGLES</td><td>±</td></tr> <tr><td>FINISH</td><td>SEE TABLE</td></tr> </table>		9 PLC	±	1 PLC	±0.25	3 PLC	±0.13	5 PLC	±	4 PLC	±	ANGLES	±	FINISH	SEE TABLE	PRODUCT SPEC	SIZE CAGE CODE DRAWING NO A100779C=2057750
9 PLC	±																
1 PLC	±0.25																
3 PLC	±0.13																
5 PLC	±																
4 PLC	±																
ANGLES	±																
FINISH	SEE TABLE																
MATERIAL		APPLICATION SPEC	RESTRICTED TO														
CUSTOMER DRAWING		WEIGHT	SCALE 6:1 SHEET 1 OF 2 REV A														

THIS DRAWING IS UNPUBLISHED. RELEASED FOR PUBLICATION 20
 © COPYRIGHT 20 . . . ALL RIGHTS RESERVED.

LOC	DIST	REVISIONS				
AD	00	P	LTB	DATE	DWN	APVD
		-	-	SEE SHEET 1	-	-

FINISH	DIM M	PART NUMBER
\triangle_3	5.5	2057750-6
\triangle_3	4.9	2057750-5
\triangle_3	4.5	2057750-4
\triangle_2	5.5	2057750-3
\triangle_2	4.9	2057750-2
\triangle_2	4.5	2057750-1

REFER TO WWW.TE.COM
FOR PRODUCT AVAILABILITY

THIS DRAWING IS A CONTROLLED DOCUMENT.		DWN J. K. SHOBER 3NOV2011	 TE Connectivity
DIMENSIONS: mm		CHK J. EARY 3NOV2011	
TOLERANCES UNLESS OTHERWISE SPECIFIED: 9 PLC ± 7 PLC ±0.25 5 PLC ±0.13 4 PLC ± ANGLES ± FINISH SEE TABLE		APVD J. EARY 3NOV2011	NAME IMPACT, 2 PAIR, 16 COLUMN, HEADER UNGUIDED, DUAL END WALL SIGNAL MODULE, 0.36 PTH
MATERIAL -		PRODUCT SPEC -	APPLICATION SPEC -
		WEIGHT -	RESTRICTED TO -
CUSTOMER DRAWING		SCALE 5:1	SHEET 2 OF 2
		REV A	