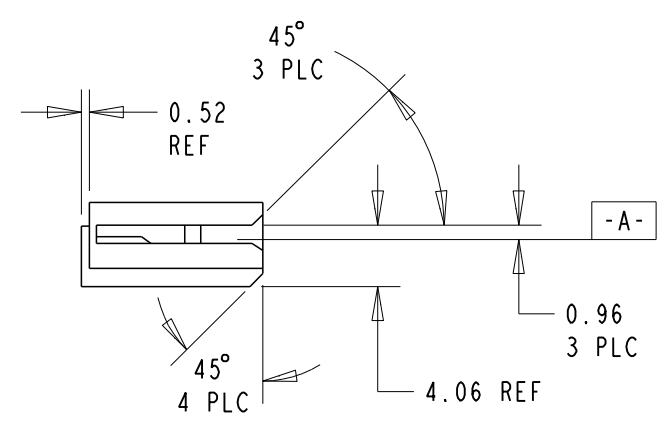
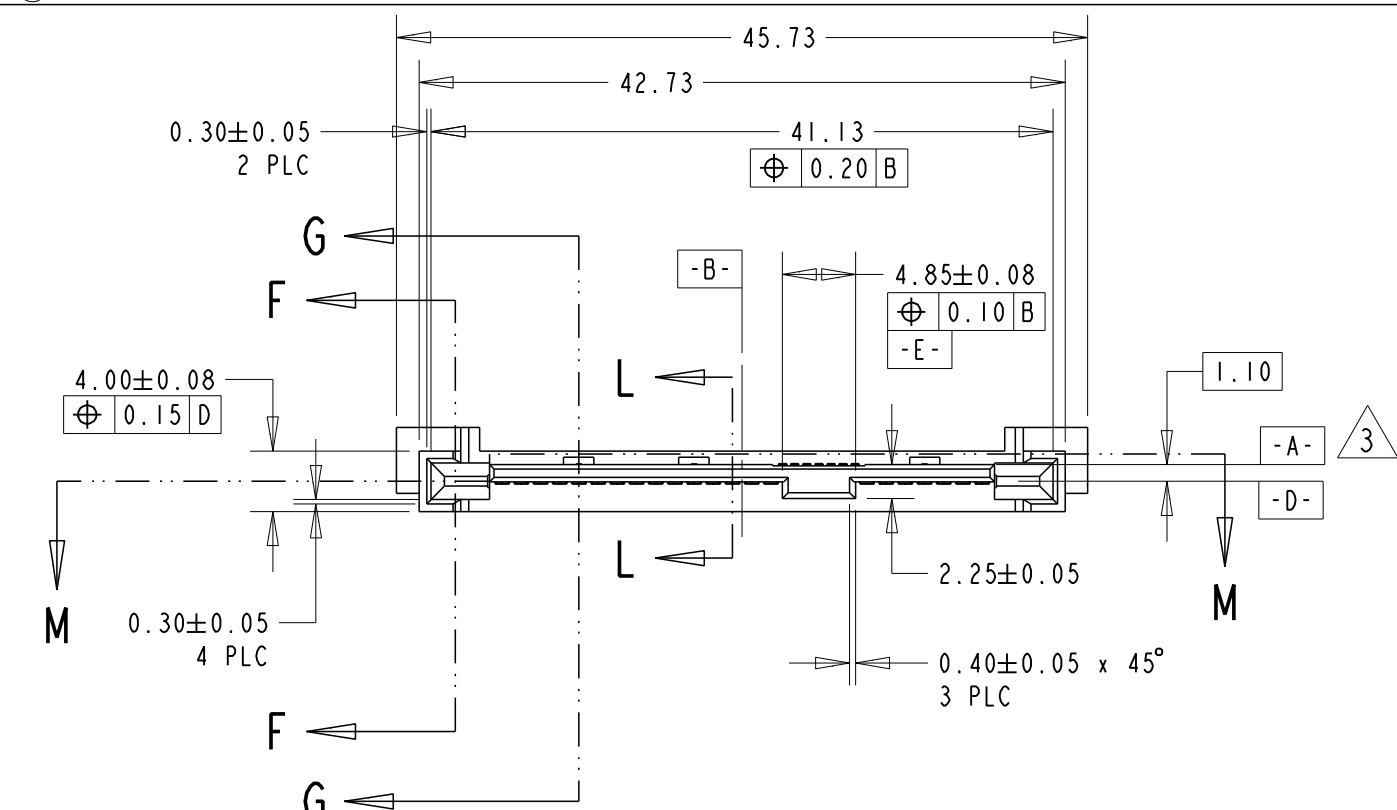
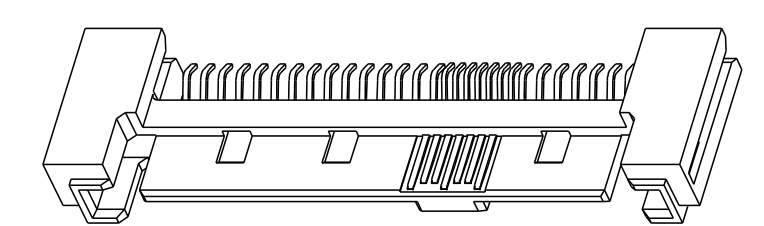


THIS DRAWING IS UNPUBLISHED. RELEASED FOR PUBLICATION .19  
 © COPYRIGHT 19 BY AMP INCORPORATED. ALL RIGHTS RESERVED.

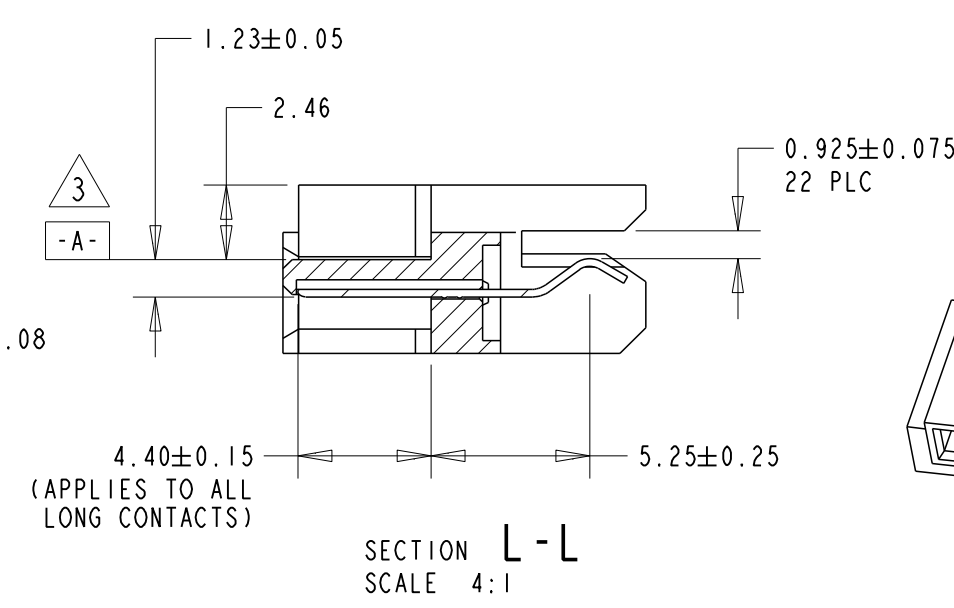
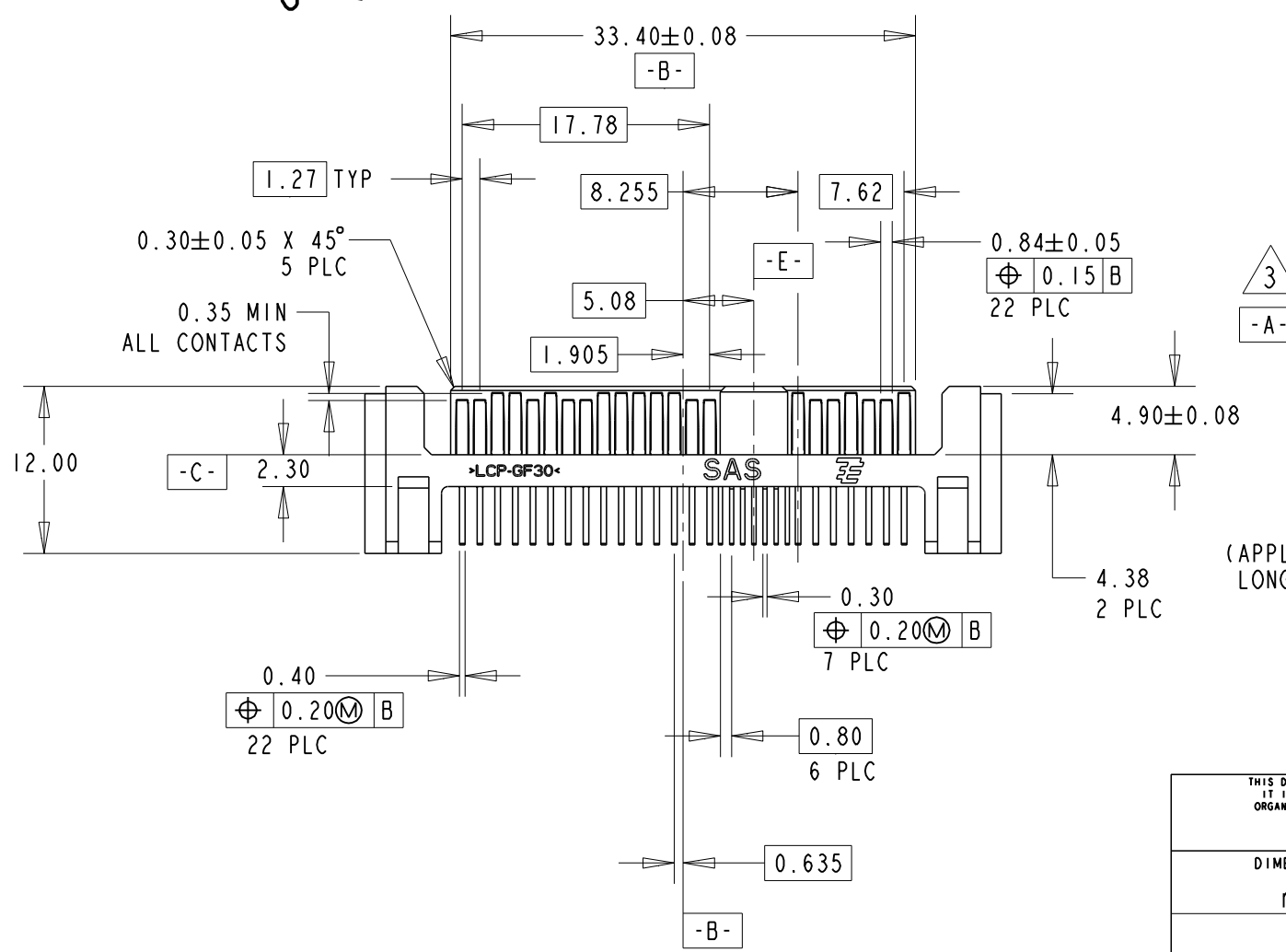
LOC		DIST		REVISIONS					
DY		-		P	LTR	DESCRIPTION	DATE	DWN	APVD
				B		REVISED-ECR-10-014113	25JUN2010	JC	TAP



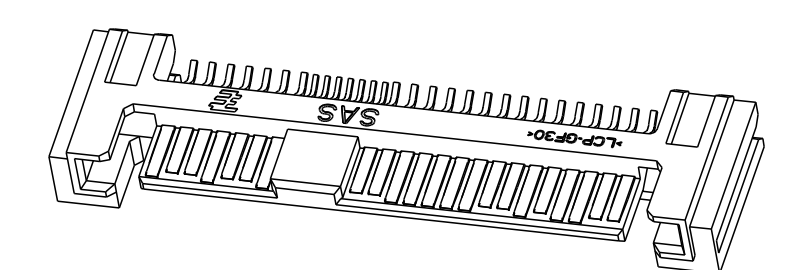
NOTES:  
 1 MATERIAL  
 HOUSING: HIGH TEMPERATURE THERMOPLASTICS,  
 GLASS FILLED, BLACK, UL94V-0,  
 REGRIND 25% MAXIMUM  
 CONTACT: COPPER ALLOY  
 2 FINISH  
 0.76um MINIMUM GOLD ON MATING AREA AND 1.91um  
 MINIMUM MATTE TIN (LEAD-FREE) ON SOLDER AREA,  
 BOTH OVER 1.27um MIN NICKEL  
 3 -A- IS DEFINED AS TOP SURFACE OF HOUSING



SCALE 2:1



SECTION L-L  
 SCALE 4:1



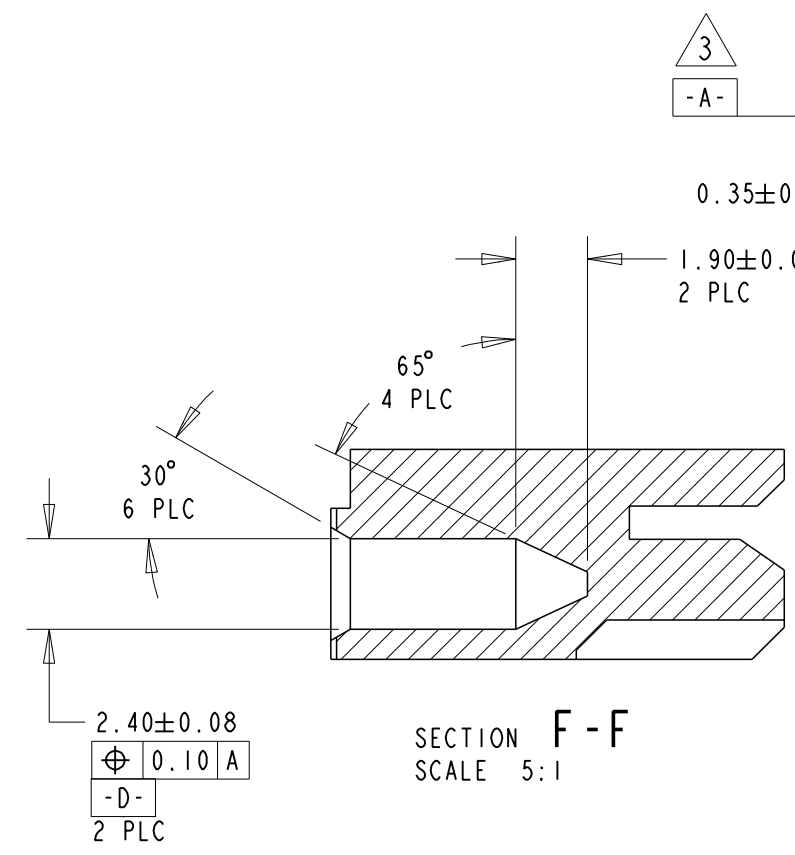
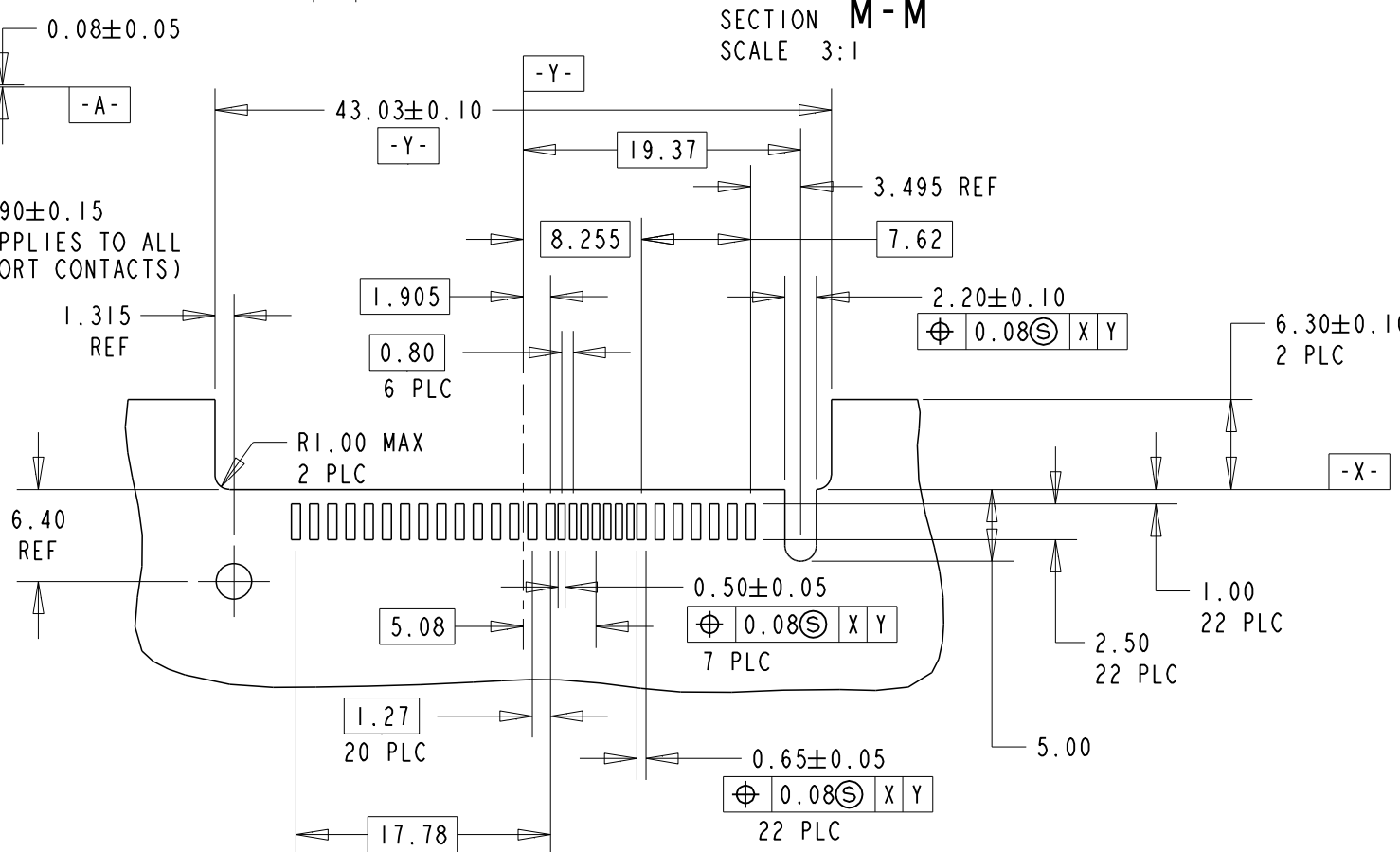
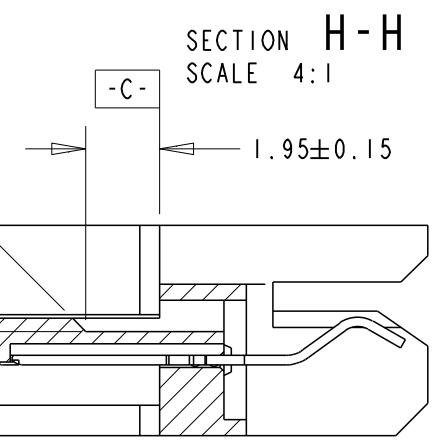
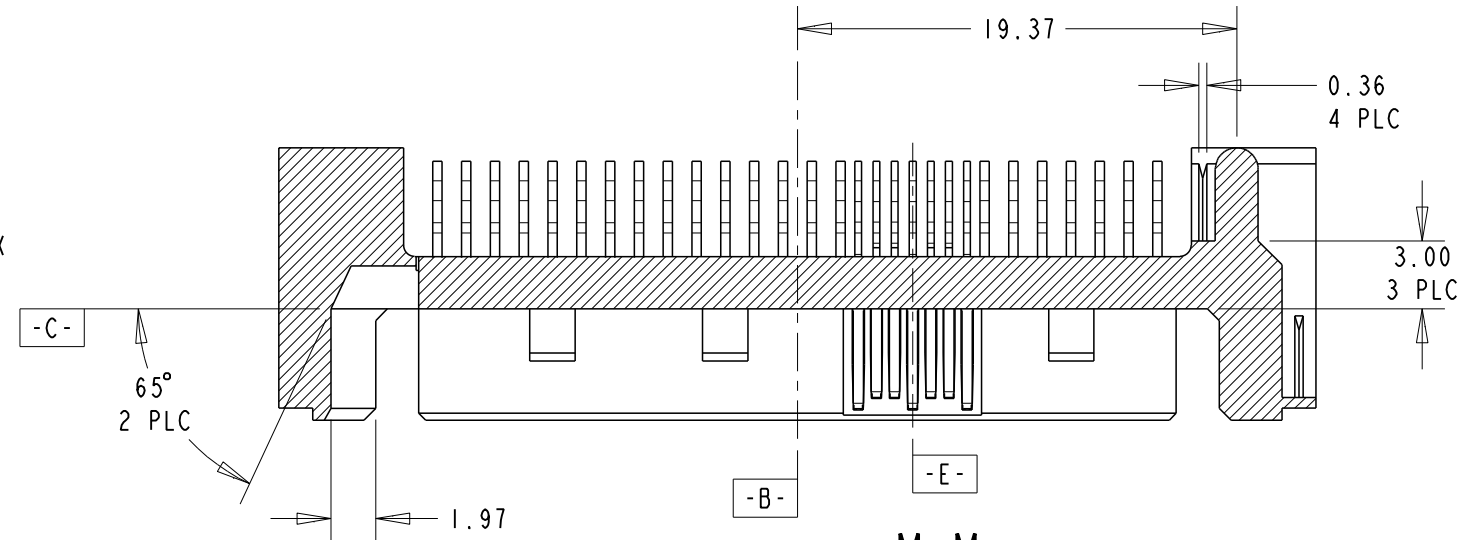
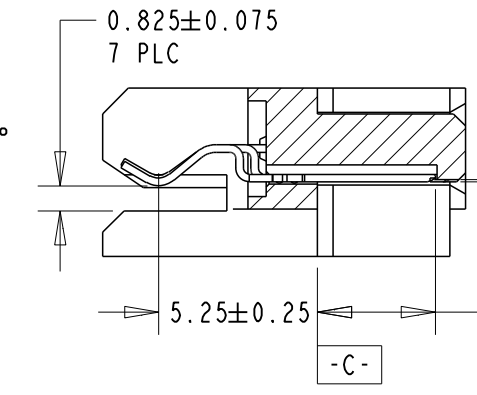
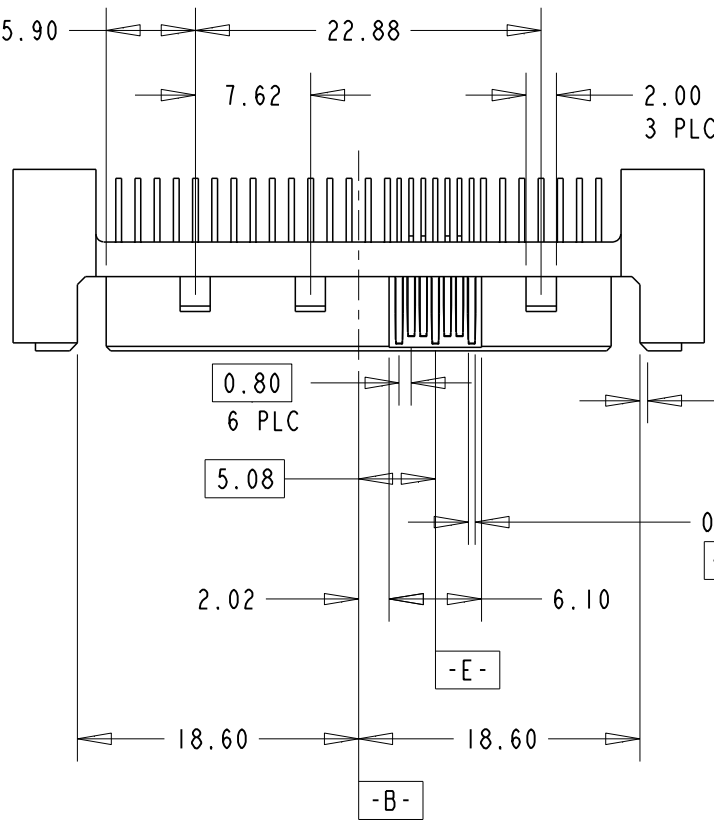
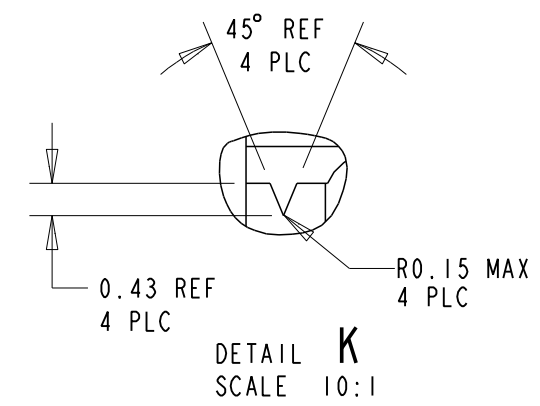
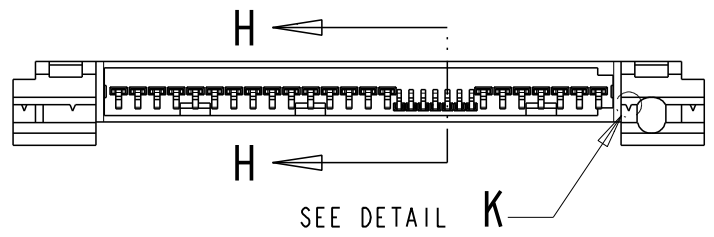
SCALE 2:1

1735183-1  
 PART NO.

THIS DRAWING IS A CONTROLLED DOCUMENT FOR AMP INCORPORATED. IT IS SUBJECT TO CHANGE AND THE CONTROLLING ENGINEERING ORGANIZATION SHOULD BE CONTACTED FOR THE LATEST REVISION.		DWN WYLEE 18NOV04	Tyco Electronics Singapore Pte. Ltd.	
DIMENSIONS: mm	TOLERANCES UNLESS OTHERWISE SPECIFIED: 0 PLC ± 1 PLC ± 2 PLC ±0.15 3 PLC ±0.15 4 PLC ± ANGLES ±2°	CHK AP TAY	NAME PLUG, SAS 15+7+7P 0.96mm OFFSET	
MATERIAL	FINISH	APVD SE LEONG	PRODUCT SPEC	SIZE A3
		APPLICATION SPEC	WEIGHT	CAGE CODE 00779
		CUSTOMER DRAWING	SCALE 2:1	DRAWING NO 1735183
			SHEET 1	OF 2
			REV B	

THIS DRAWING IS UNPUBLISHED. RELEASED FOR PUBLICATION .19  
 © COPYRIGHT 19 BY AMP INCORPORATED. ALL RIGHTS RESERVED.

LOC	DIST	REVISIONS			
P	LTR	DESCRIPTION	DATE	DWN	APVD
DY	-	SEE SHEET 1			



THIS DRAWING IS A CONTROLLED DOCUMENT FOR AMP INCORPORATED. IT IS SUBJECT TO CHANGE AND THE CONTROLLING ENGINEERING ORGANIZATION SHOULD BE CONTACTED FOR THE LATEST REVISION.		DWN WYLEE 18NOV04	Tyco Electronics Singapore Pte. Ltd.	
DIMENSIONS: mm		CHK AP TAY	NAME PLUG, SAS 15+7+7P 0.96mm OFFSET	
TOLERANCES UNLESS OTHERWISE SPECIFIED: 0 PLC ± 1 PLC ± 2 PLC ±0.15 3 PLC ±0.15 4 PLC ± ANGLES ±2°		APVD SE LEONG	DRAWING NO C-1735183	
MATERIAL 1		PRODUCT SPEC -	SIZE A3	CAGE CODE 00779
FINISH 2		APPLICATION SPEC -	SCALE 2:1	SHEET 2 OF 2
CUSTOMER DRAWING			REV B	