

## SPECIFICATION

Part No. : **PC23.07.0100A**

Product Name : **Internal Circular PCB Antenna**  
AMPS/GSM/PCS/DCS Cellular PCB Antenna  
100mm 1.13 IPEX MHFI (U.FL comp)

Features : Diameter 42mm\*Height 1.6mm

Photo:



# 1. Introduction

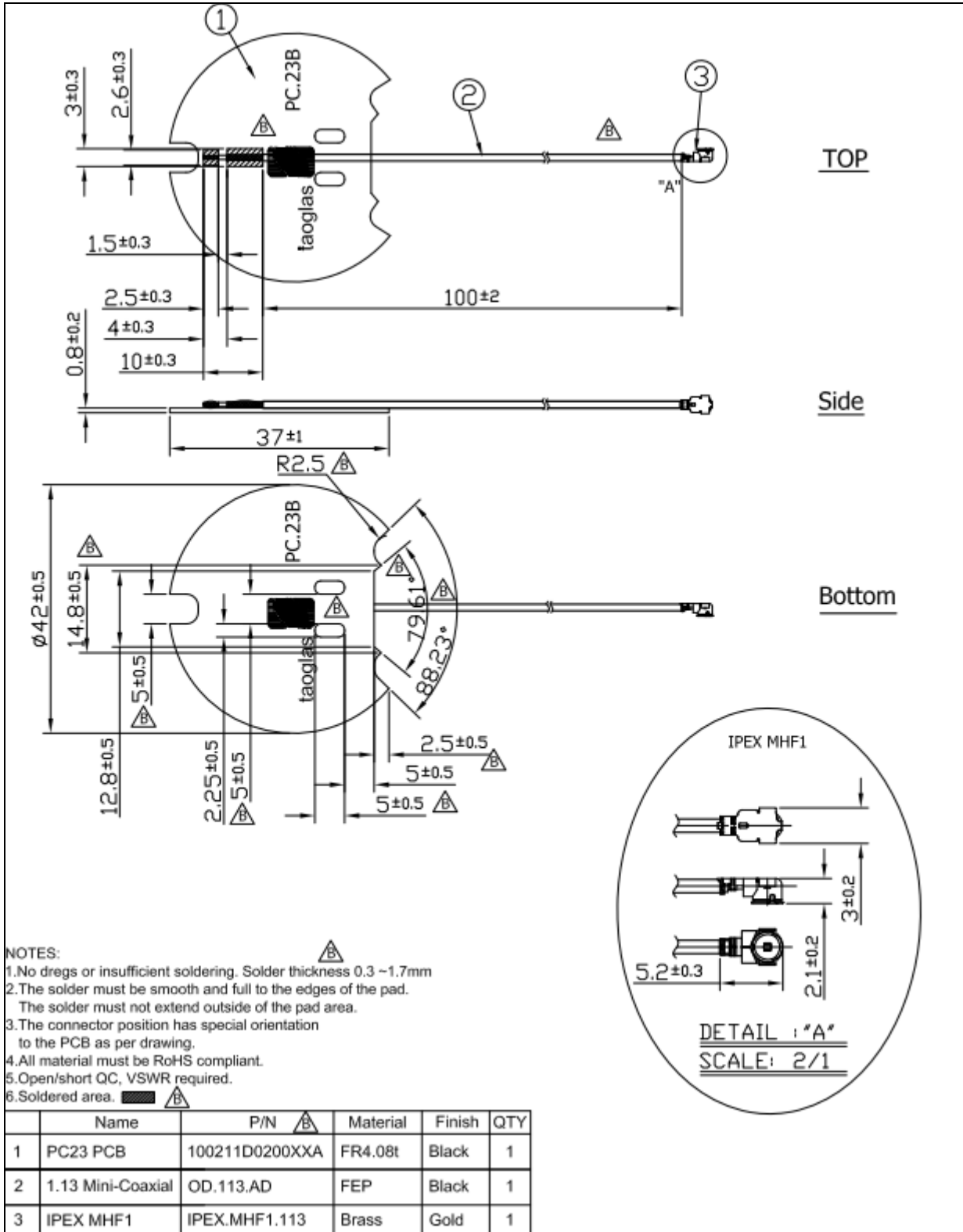
The PC23 Internal PCB Antenna is a circular Quad-band GSM antenna for incorporation antennas and transceiver modules worldwide. Omni-directional high gain across all bands ensures constant reception and transmission.. Cables and connectors are fully customizable.

# 2. Typical Antenna Performance in free space

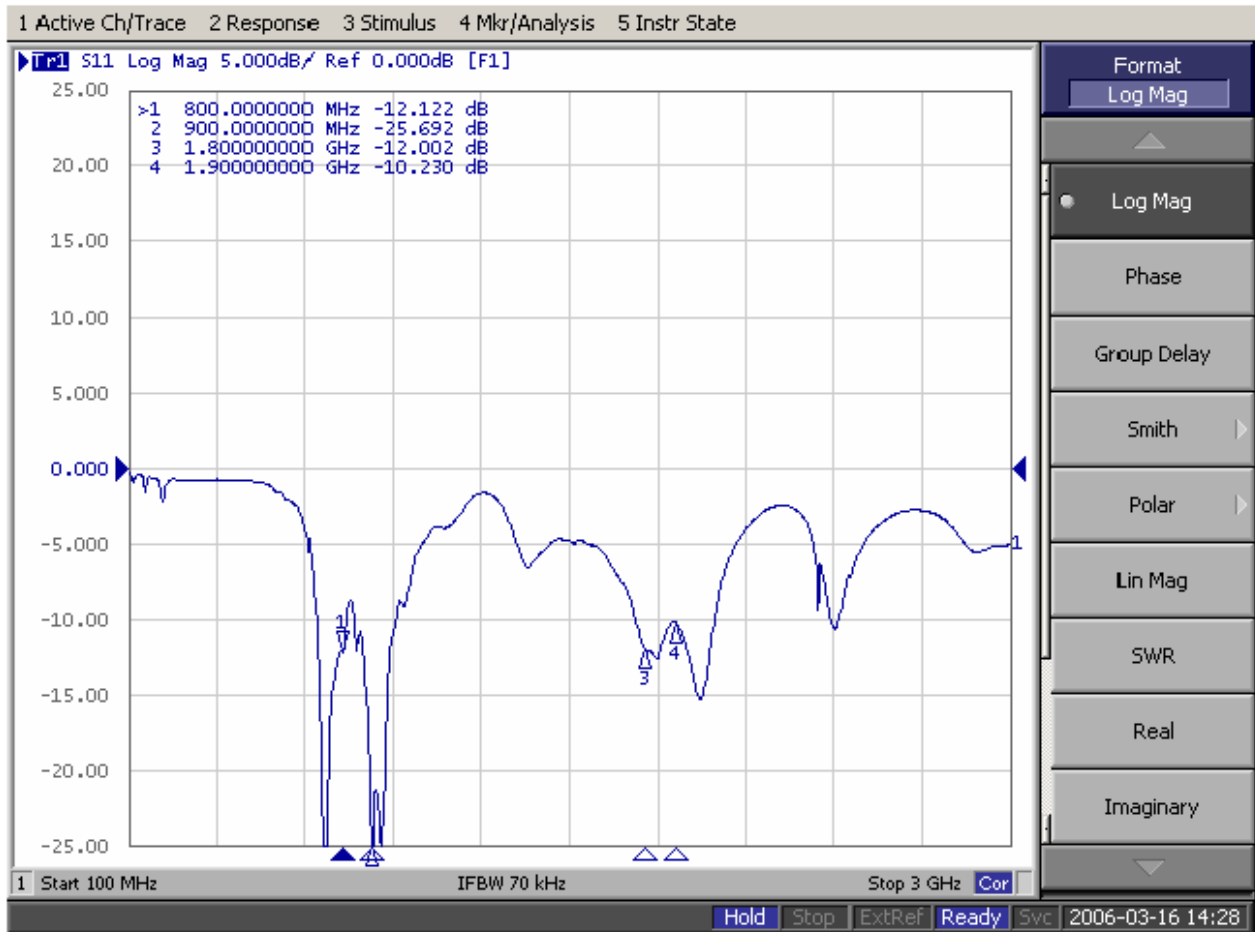
<b>Specifications</b>				
<b>ELECTRICAL</b>				
	<b>AMPS</b>	<b>GSM</b>	<b>PCS</b>	<b>DCS</b>
Band	824-896	880-960	1850-1990	1710-1880
Return Loss	-12 dB	-25 dB	-12 dB	-10 dB
Gain	Average 0 dBi			
Polarization	Linear			
Impedance	50 ohms			
Input Power	10 watts			
Input Connection	Coaxial Cable - RG174 Standard, Fully customizable			
VSWR (Min performance)	<2.0:1			

**\*note: specifications may be subject to change**

### 3. Outline Drawing

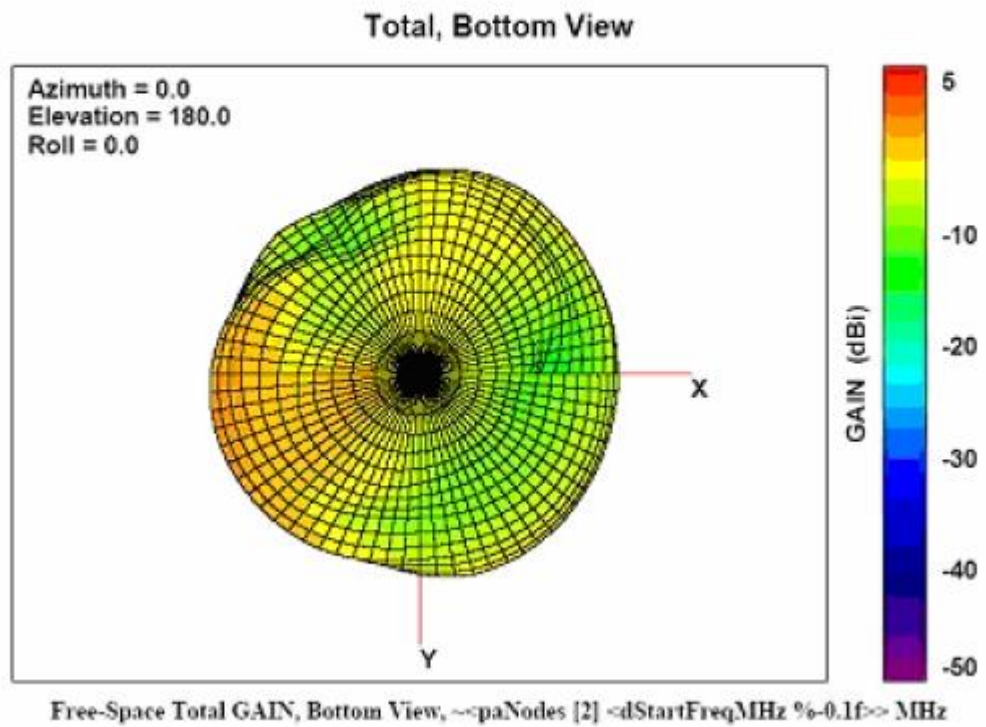


## 4. S11 Magnitude

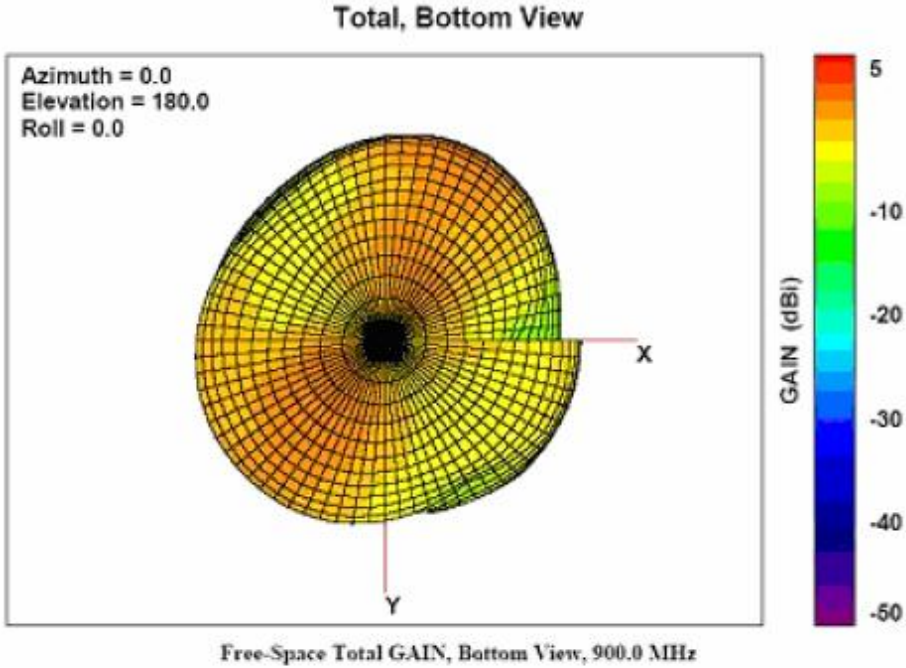


## 5. Radiation Patterns

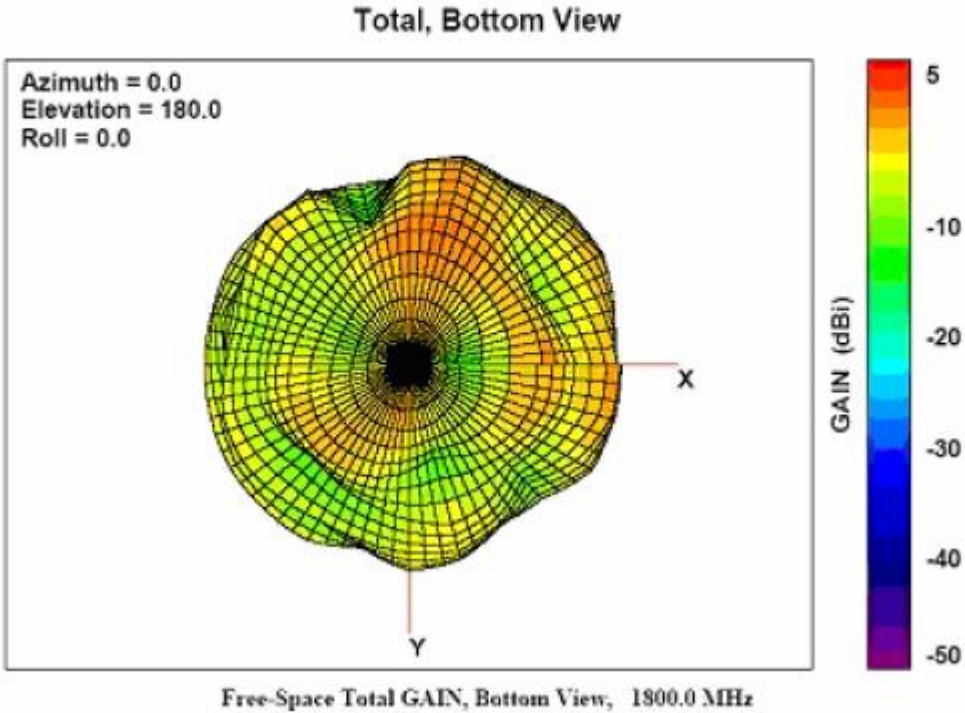
### 800 MHz – 3D Radiation Pattern



# 900 MHz – 3D Radiation Pattern

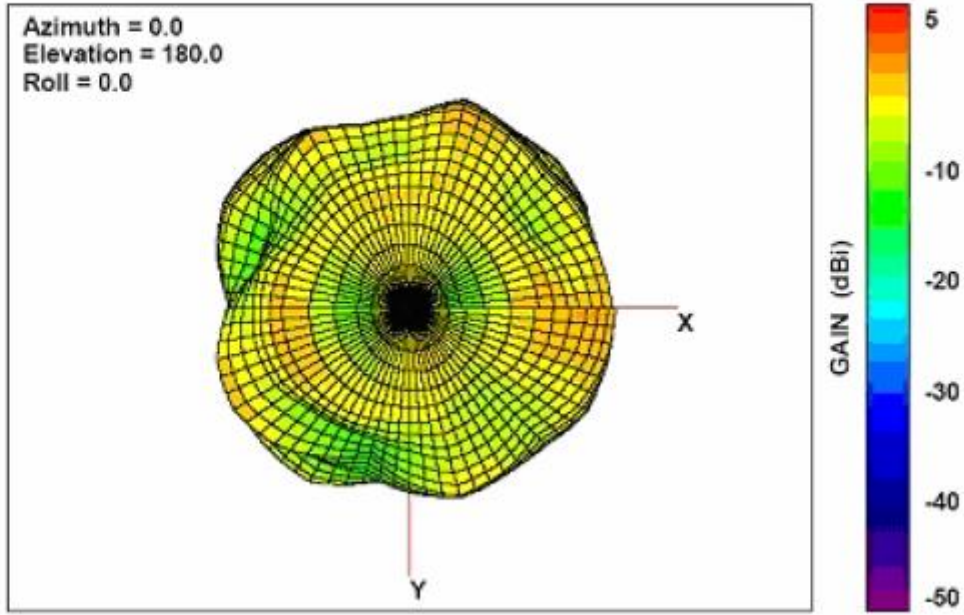


# 1800 MHz – 3D Radiation Pattern



# 1900 MHz – 3D Radiation Pattern

Total, Bottom View



Free-Space Total GAIN, Bottom View, 1900.0 MHz