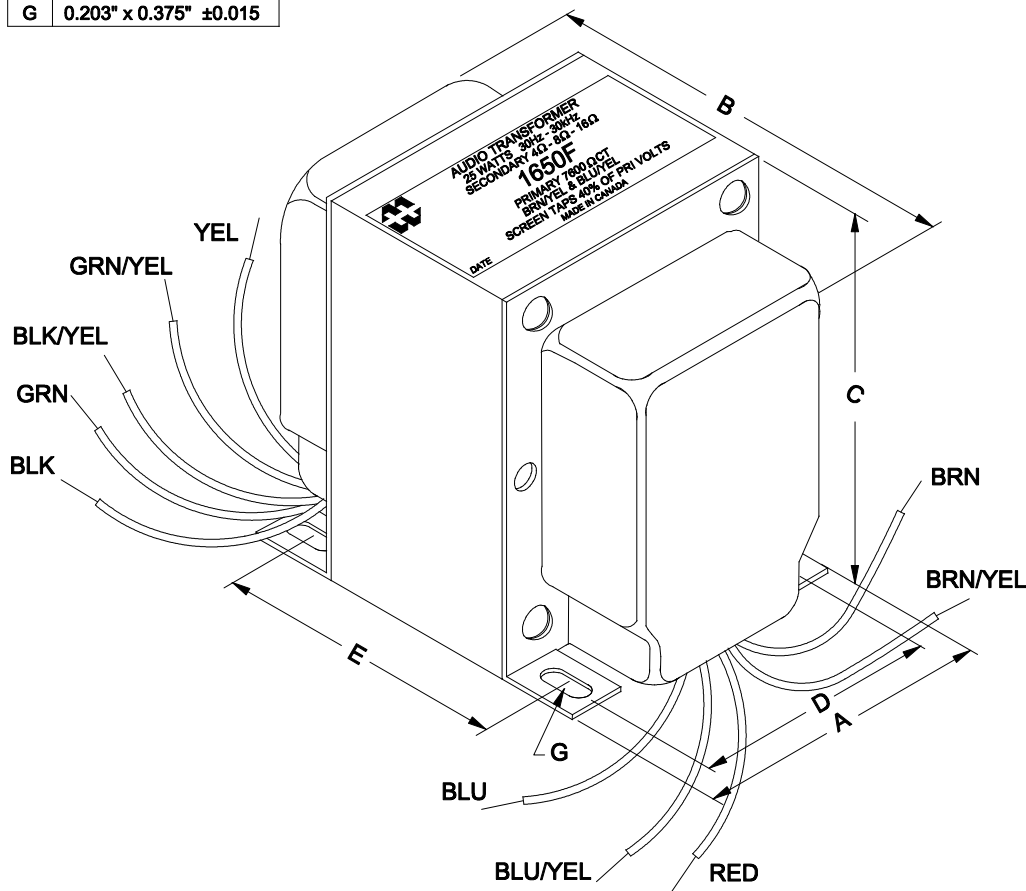
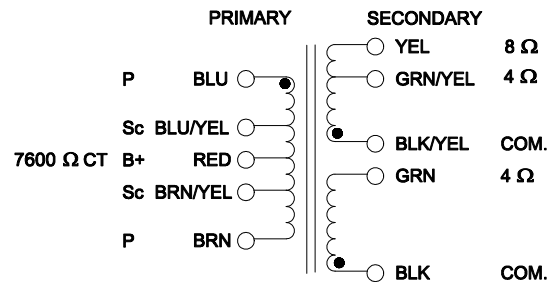


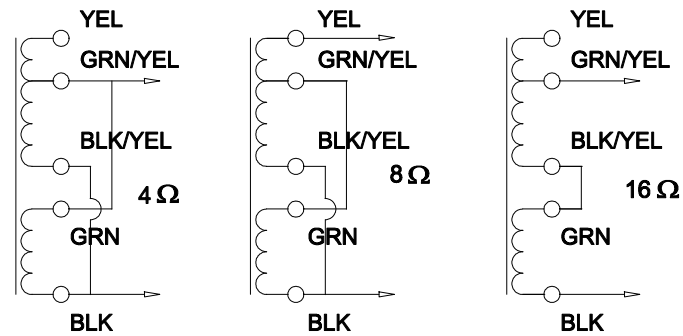
DIMENSIONS:	
A	2.500" ±0.063
B	3.435" ±0.125
C	3.060" ±0.063
D	2.000" ±0.063
E	2.438" ±0.063
G	0.203" x 0.375" ±0.015



NOTE: ALL LEADS 8" OUT MIN.



25 WATT
30Hz - 30kHz
±1db (1kHz REF.)



ELECTRICAL DATA:

TESTS	CONDITIONS	ACCEPTANCE CRITERIA
Iex	@ 240V, 60Hz, BLU - BRN	10mA Max.
Sec. N.L.V	@ 240V, 60Hz, BLU - BRN	
	BLU - BLU/YEL =	71.62V ±2%
	BLU - RED = RED - BRN =	120.0V ±2%
	BLU - BRN/YEL =	168.2V ±2%
	BLK - GRN =	5.511V ±2%
	BLK/YEL - GRN/YEL =	5.511V ±2%
	BLK/YEL - YEL =	7.873V ±2%
DCR	@ 20°C, BLU - BRN =	210.0 Ω ±20%
	@ 20°C, BLK - GRN =	0.220 Ω ±20%
	@ 20°C, BLK/YEL - YEL =	0.270 Ω ±20%
HIPOT	PRIMARY - SECONDARY	2000V, 60Hz, 1 SEC

REV.#	REVISION	DATE
0	RELEASED.	01/17/14

HAMMOND MANUFACTURING™ ELECTRONIC DIVISION
 52 RANKIN PLACE, WATERLOO, ONTARIO, N2J 3Z5
 PH # (519) 886-6181 FAX # (519) 886-9540

DWG. BY: C. ILIE	CHK'D BY:	TITLE: 1650F	DWG. NO.
DATE: 01/17/14	APP'D. BY:	TRANSFORMER	1650F
DIMENSIONS: IN(X) MM()			